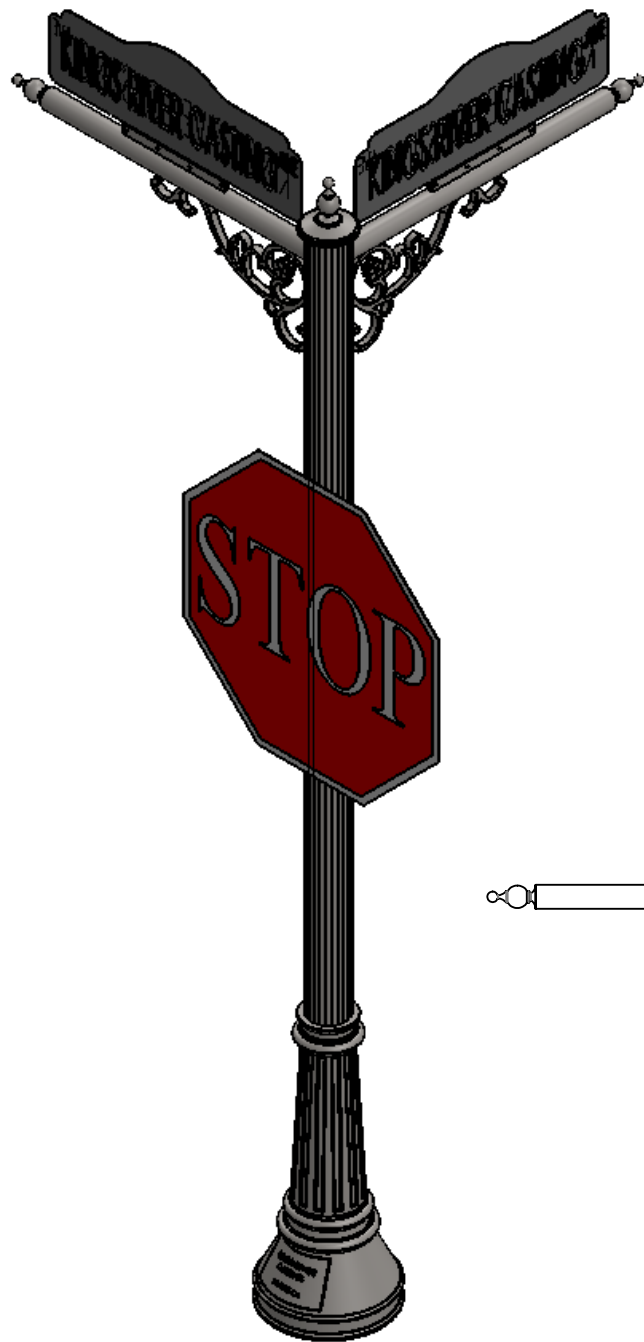
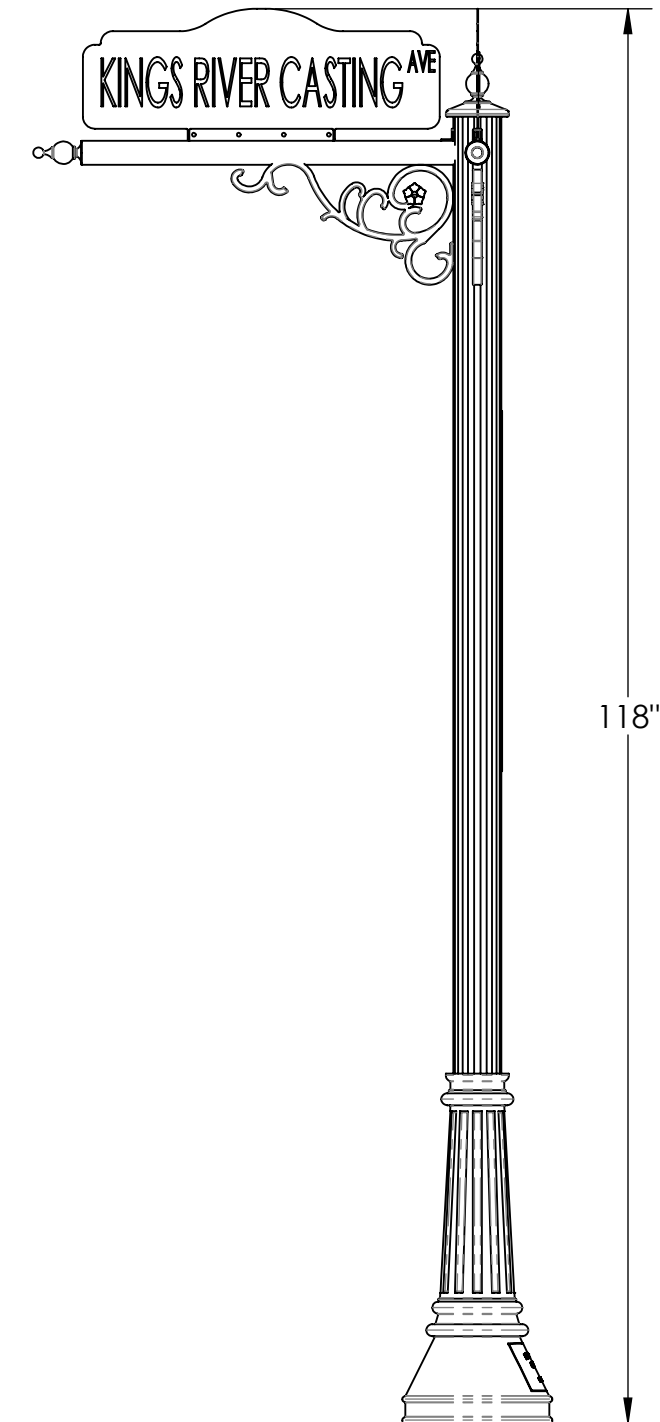
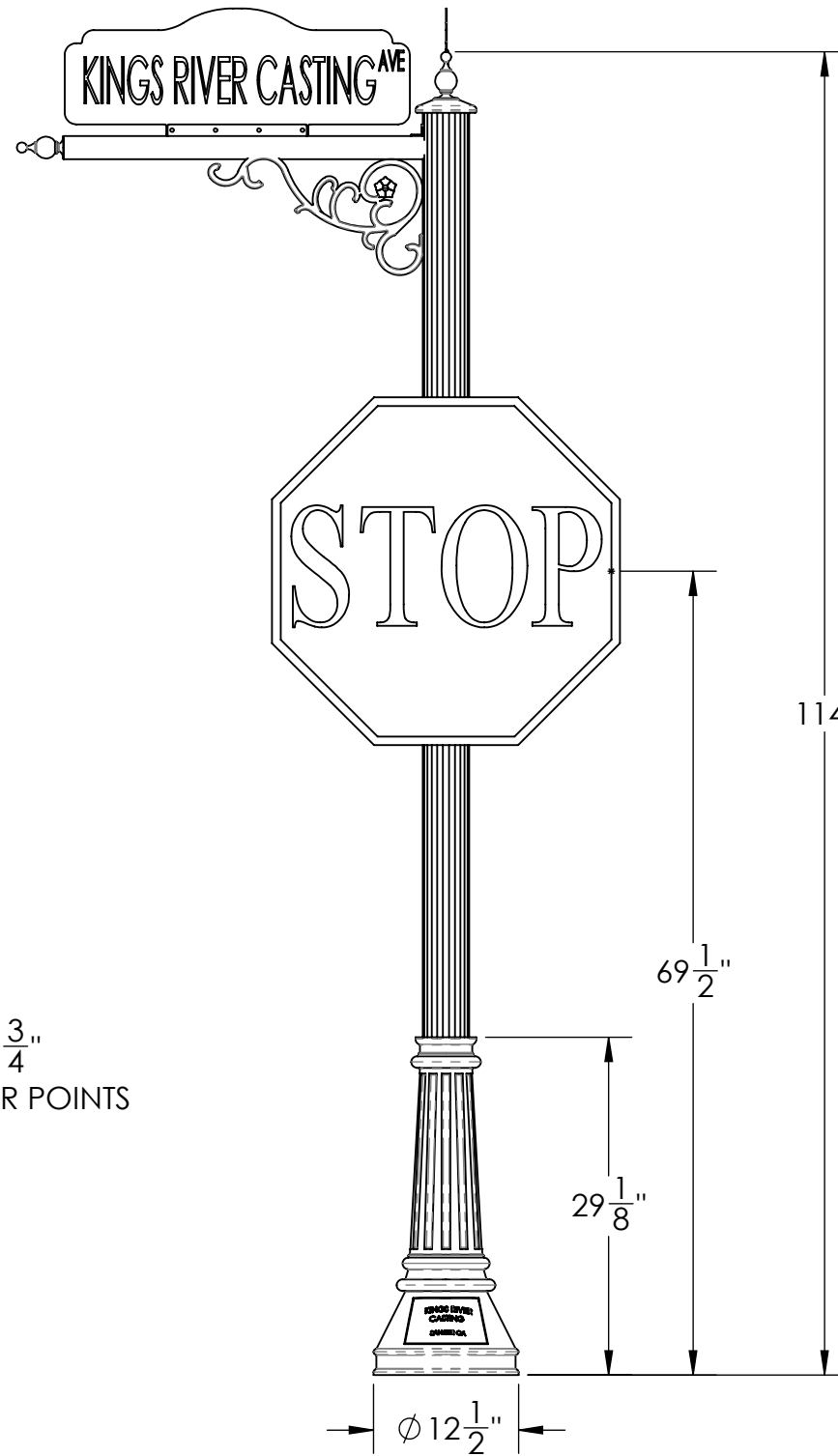
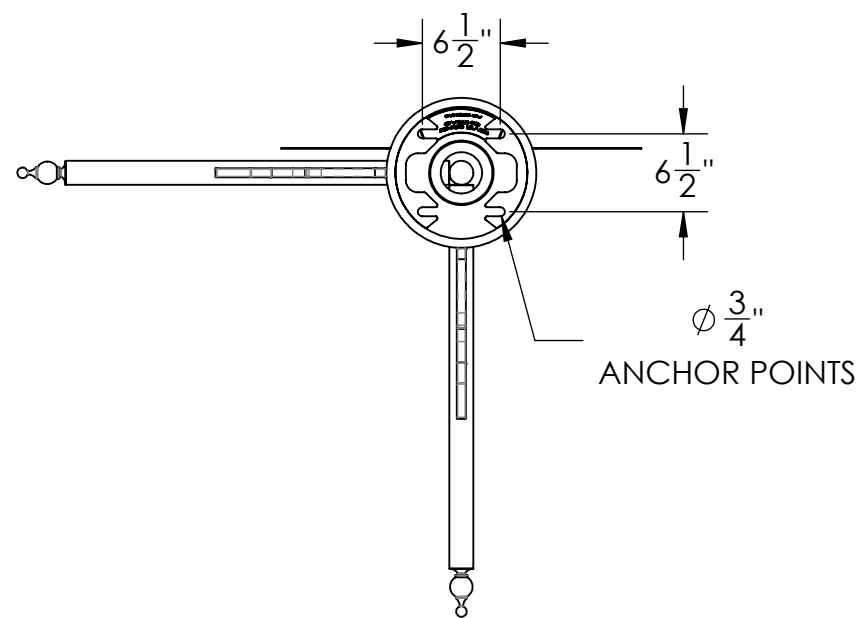


# PRODUCT SPECIFICATIONS

## STREET/STOP SIGN



BOTTOM VIEW



**NOTE:** OTHER CONFIGURATIONS AVAILABLE UPON REQUEST.  
**BASE:** CONSTRUCTED OF DURABLE, CORROSION RESISTANT, HEAVY WALL CAST ALUMINUM.  
**POLE SHAFT:** SEAMLESS EXTRUDED ALUMINUM.  
**INSTALLATION:** POST ARE BASE-MOUNTED WITH FOUR ANCHOR BOLTS CONCEALED INSIDE BASE.



**DESCRIPTION:**

**STREET/STOP SIGN**

**ADDRESS:**  
 1350 NORTH AVE.  
 SANGER, CALIFORNIA 93657  
 PHONE: (559) 875-8250  
 FAX: (559) 875-1491  
 kingsrivercasting@verizon.net

THE INFORMATION CONTAINED IN THIS DRAWING IS THE SOLE PROPERTY OF KINGS RIVER CASTING. ANY REPRODUCTION IN PART OR WHOLE WITHOUT THE WRITTEN PERMISSION OF KINGS RIVER CASTING IS PROHIBITED.

**WEIGHT:** 70 LBS  
**MODEL NUMBER:**

**SCALE:** 1:16

**KRC S/S SIGN**

**SIZE**  
**B**