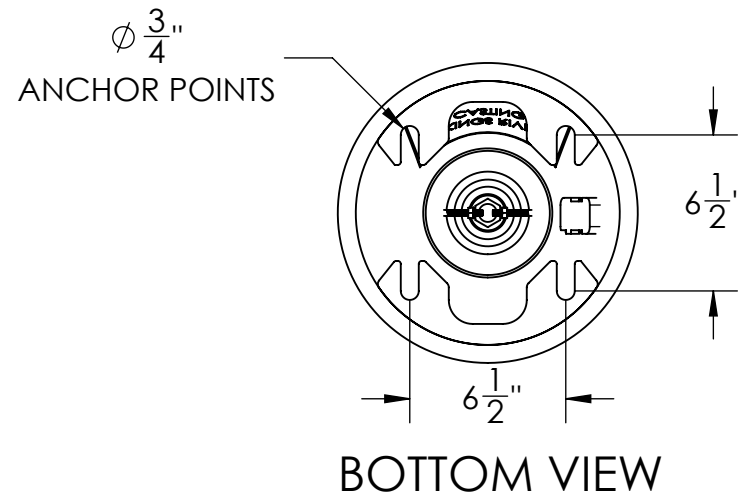
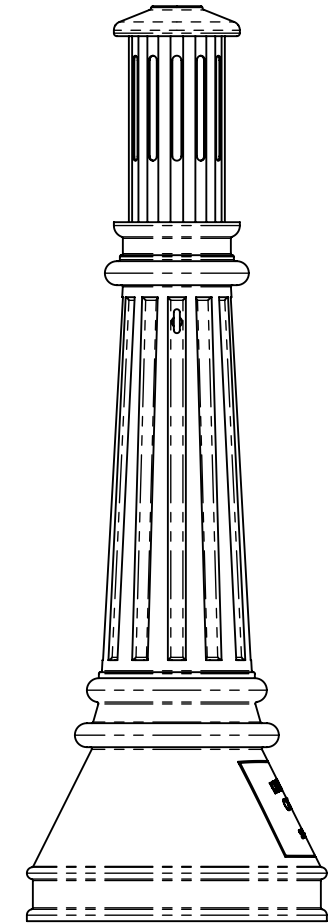
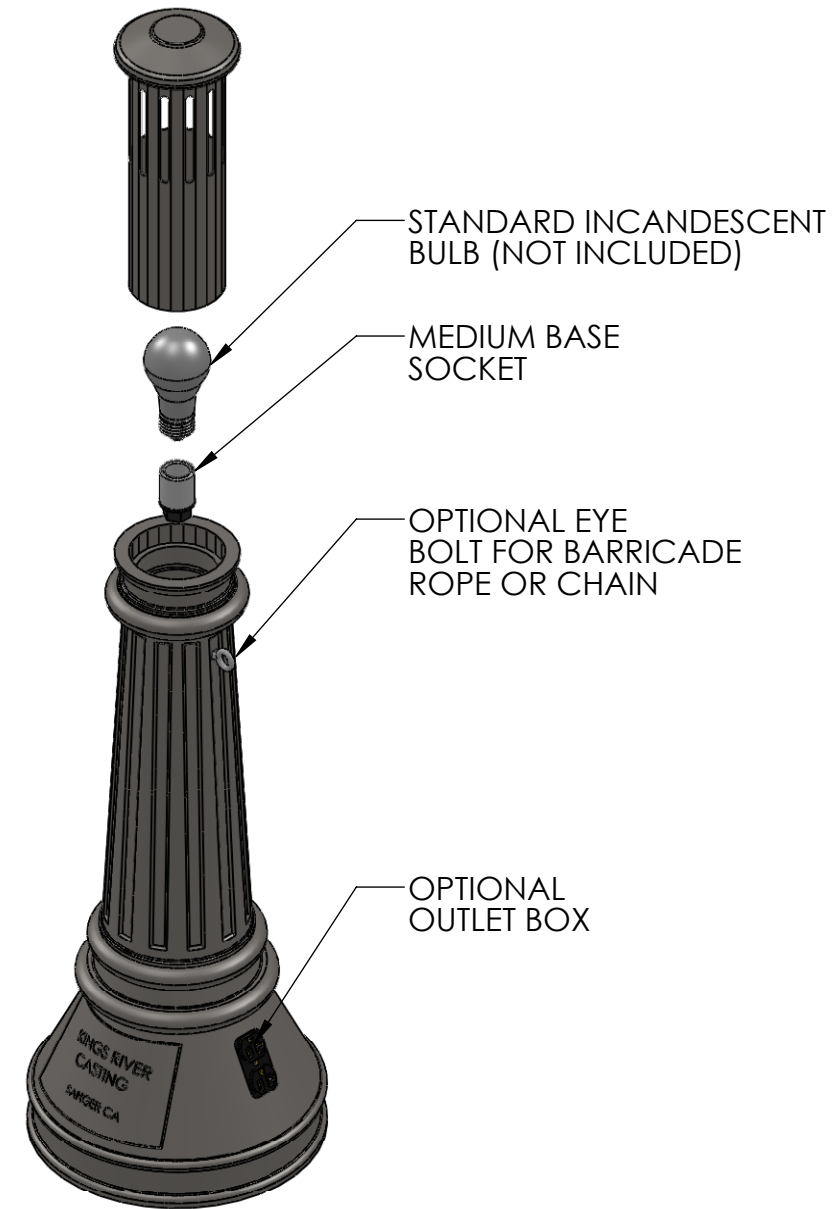
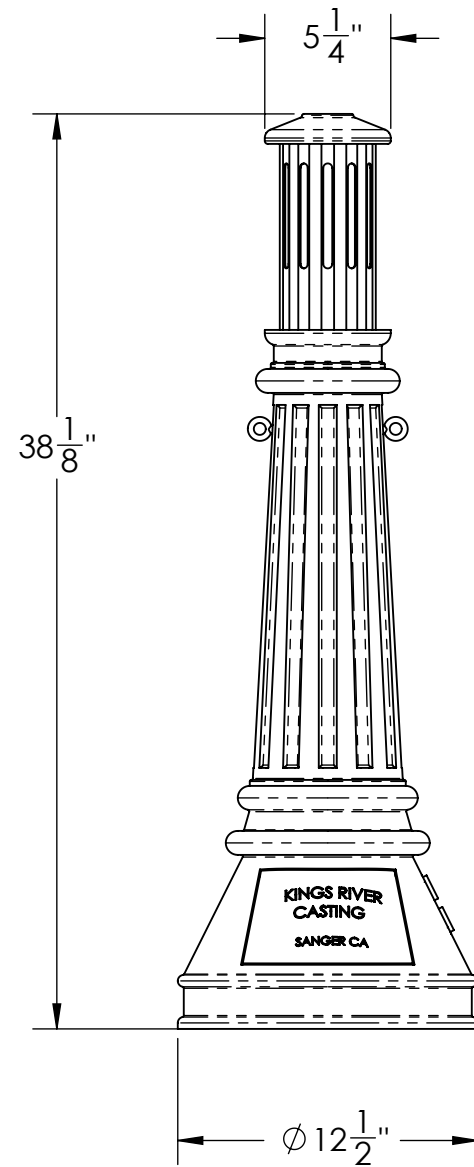
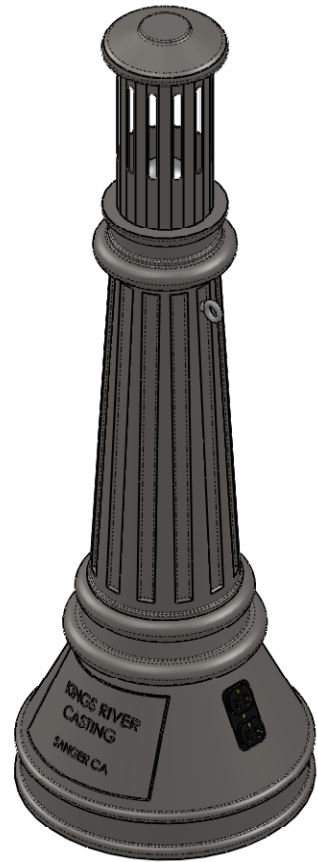



# PRODUCT SPECIFICATIONS

## LIGHTED BOLLARD

**BASE:** CONSTRUCTED OF DURABLE, CORROSION RESISTANT, HEAVY WALL CAST ALUMINUM.  
**POLE SHAFT:** SEAMLESS EXTRUDED ALUMINUM.  
**INSTALLATION:** POST ARE BASE-MOUNTED WITH FOUR ANCHOR BOLTS CONCEALED INSIDE BASE.



 SANGER, CA <a href="http://www.kingsrivercasting.com">www.kingsrivercasting.com</a>	<b>DESCRIPTION:</b> <h3>LIGHTED BOLLARD</h3>		<b>WEIGHT:</b> 21 LBS	<b>SCALE:</b> 1:8	<b>SIZE</b> B
	<b>ADDRESS:</b> 1350 NORTH AVE. SANGER, CALIFORNIA 93657 PHONE: (559) 875-8250 FAX: (559) 875-1491 <a href="mailto:kingsrivercasting@verizon.net">kingsrivercasting@verizon.net</a>	THE INFORMATION CONTAINED IN THIS DRAWING IS THE SOLE PROPERTY OF KINGS RIVER CASTING. ANY REPRODUCTION IN PART OR WHOLE WITHOUT THE WRITTEN PERMISSION OF KINGS RIVER CASTING IS PROHIBITED.	<b>MODEL NUMBER:</b> <h3>EBL</h3>		