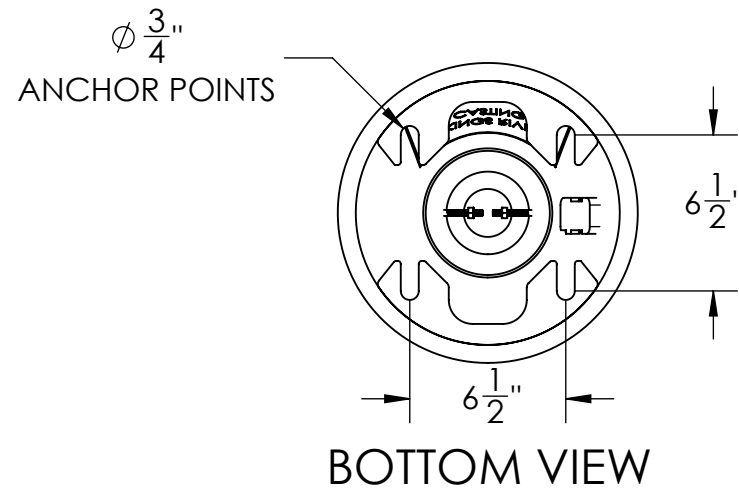
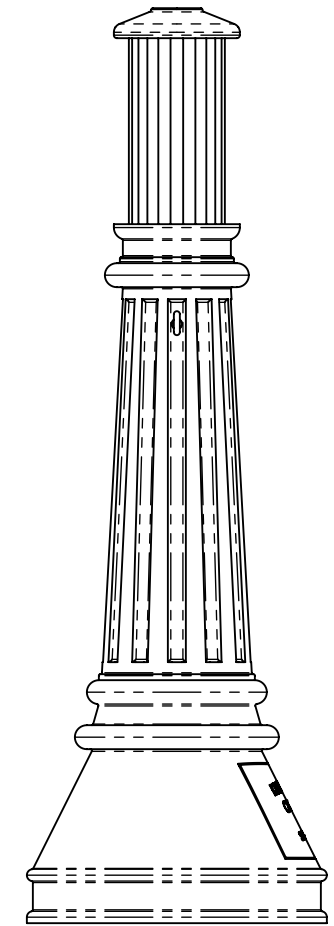
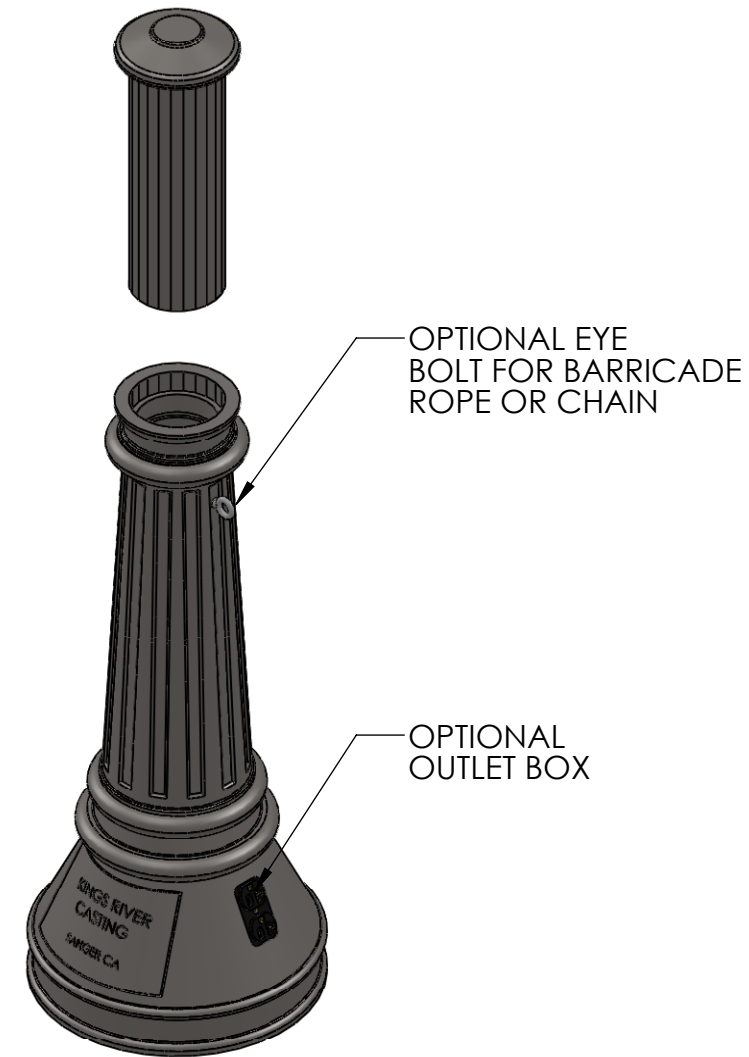
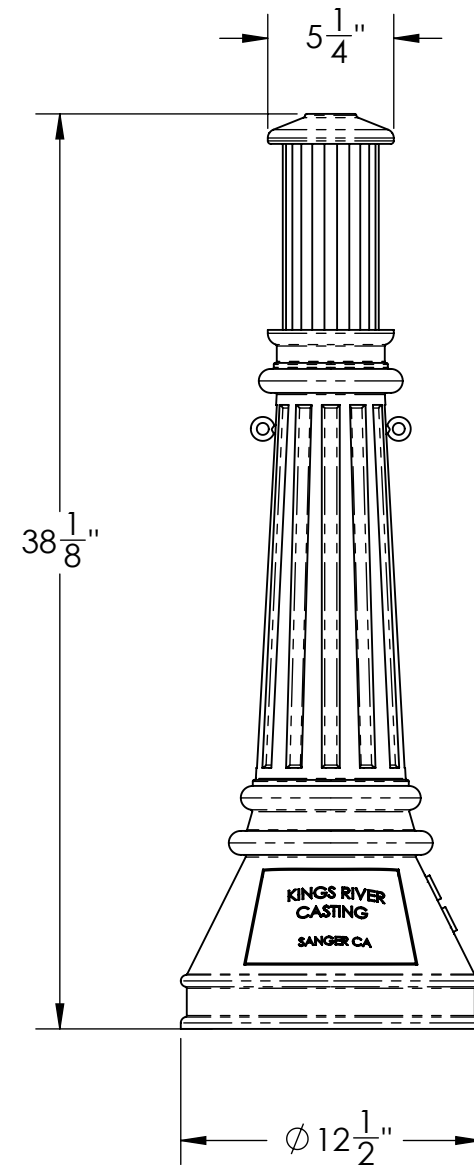
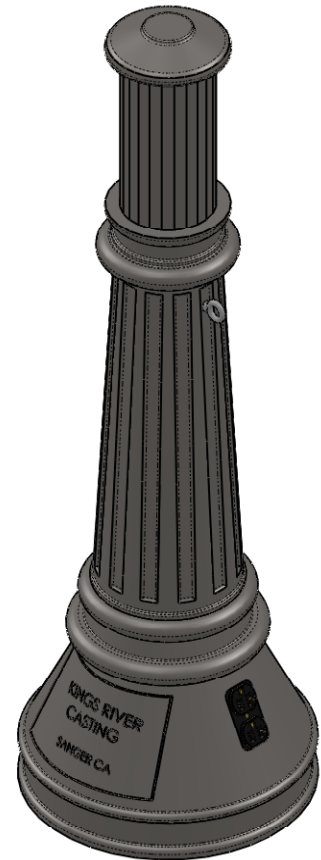



PRODUCT SPECIFICATIONS

STANDARD BOLLARD

BASE: CONSTRUCTED OF DURABLE, CORROSION RESISTANT, HEAVY WALL CAST ALUMINUM.
POLE SHAFT: SEAMLESS EXTRUDED ALUMINUM.
INSTALLATION: POST ARE BASE-MOUNTED WITH FOUR ANCHOR BOLTS CONCEALED INSIDE BASE.



 <p>KINGS RIVER CASTING SANGER, CA www.kingsrivercasting.com</p>	DESCRIPTION: <h3>STANDARD BOLLARD</h3>		
	ADDRESS: 1350 NORTH AVE. SANGER, CALIFORNIA 93657 PHONE: (559) 875-8250 FAX: (559) 875-1491 kingsrivercasting@verizon.net	THE INFORMATION CONTAINED IN THIS DRAWING IS THE SOLE PROPERTY OF KINGS RIVER CASTING. ANY REPRODUCTION IN PART OR WHOLE WITHOUT THE WRITTEN PERMISSION OF KINGS RIVER CASTING IS PROHIBITED.	WEIGHT: 20 LBS MODEL NUMBER: <h3>EB</h3>