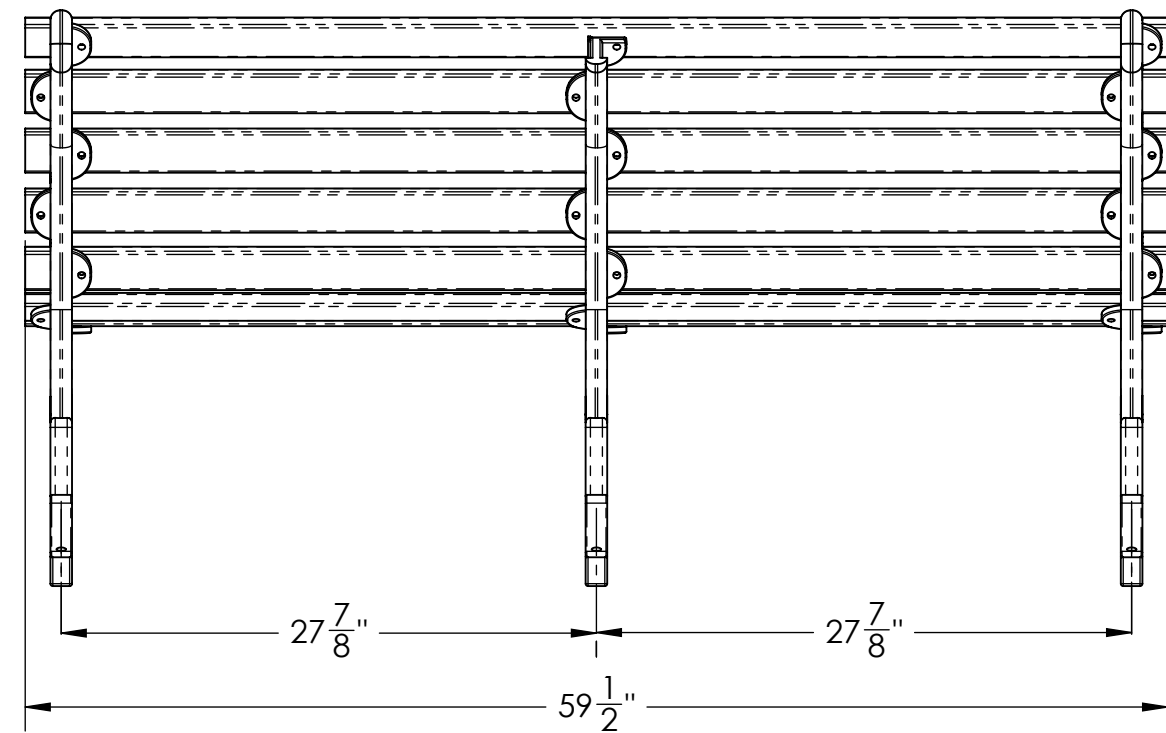
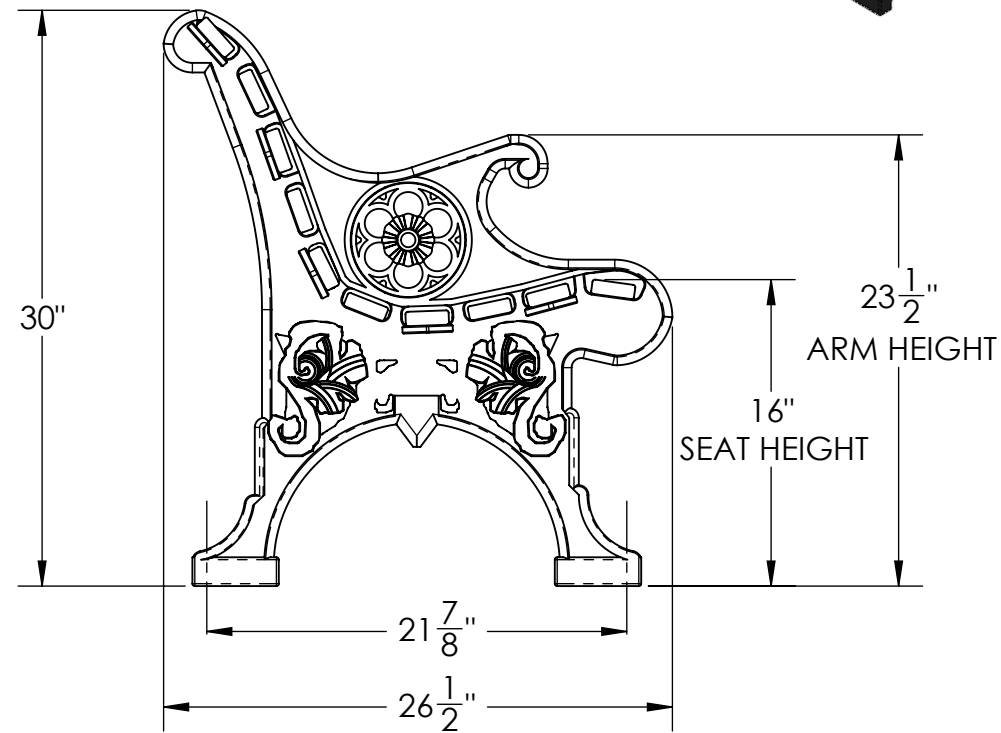
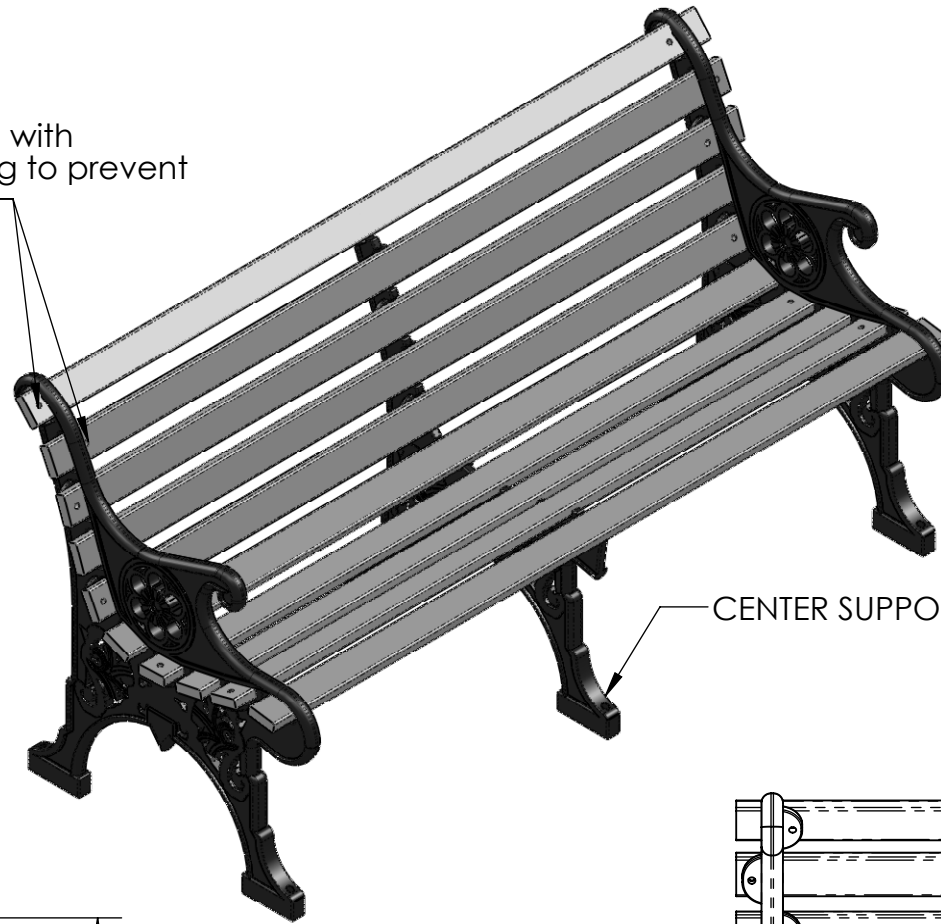
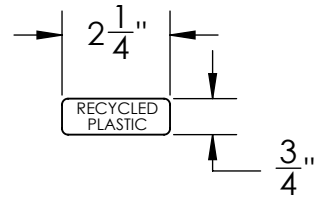


# PRODUCT SPECIFICATIONS

## RENAISSANCE PARK BENCH - 60" RECYCLED PLASTIC

Engineered with cross-bolting to prevent end play



### FRAME

- **Material:** Cast aluminum poured in permanent molds
- **Finish:** Electro static powder coating
- **Color:** Black, White, Green, Tan, Dk. Brown, Dk. Green, Bronze and Blue.

### PLASTIC RAILS

- **Material:** Polystyrene
- **Number of Rails:** 10
- **Finish:** Cedar or Redwood

### HARDWARE

- **Carriage Bolts:** 1/4"-20 steel zinc plate, yellow dipped
- **Nuts:** 1/4" steel zinc plate

### BOLT DOWN DETAIL

VICTORIAN and RENAISSANCE benches can be drilled for permanent attachment.



### DESCRIPTION:

**RENAISSANCE PARK BENCH - 60" RECYCLED PLASTIC**

ADDRESS:  
1350 NORTH AVE.  
SANGER, CALIFORNIA 93657  
PHONE: (559) 875-8250  
FAX: (559) 875-1491  
kingsrivercasting@verizon.net

THE INFORMATION CONTAINED IN THIS DRAWING IS THE SOLE PROPERTY OF KINGS RIVER CASTING. ANY REPRODUCTION IN PART OR WHOLE WITHOUT THE WRITTEN PERMISSION OF KINGS RIVER CASTING IS PROHIBITED.

WEIGHT: 110 LBS

SCALE: 1:10

MODEL NUMBER:

**RBP - 60"**

SIZE

**B**