

PRODUCT SPECIFICATIONS

RENAISSANCE BACKLESS BENCH - 60" RECYCLED PLASTIC

FRAME

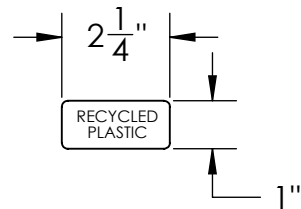
- **Material:** Cast aluminum poured in permanent molds
- **Finish:** Electro static powder coating
- **Color:** Black, White, Green, Tan, Dk. Brown, Dk. Green, Bronze and Blue.

PLASTIC RAILS

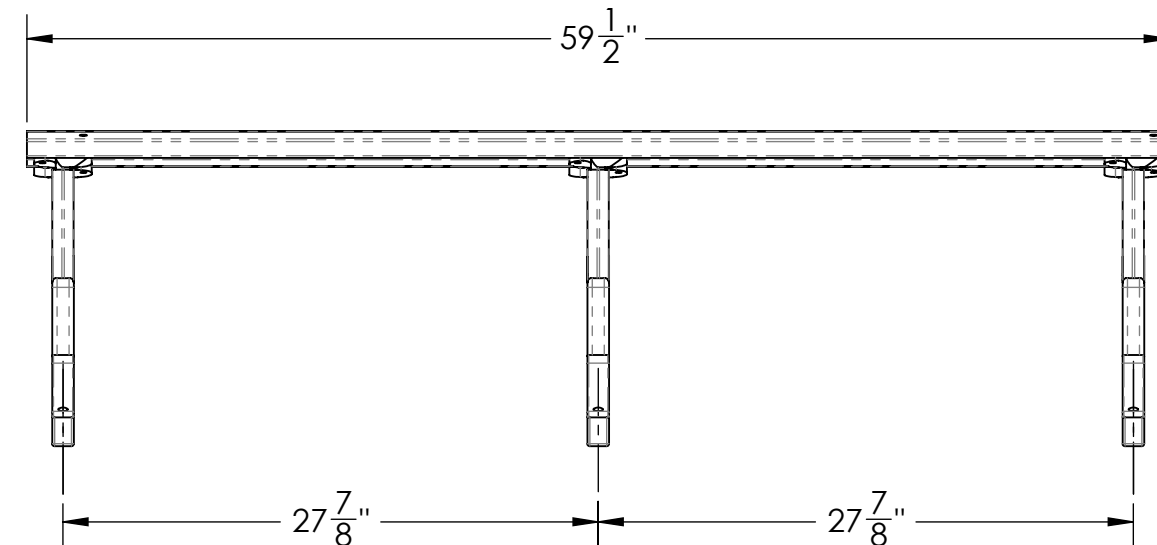
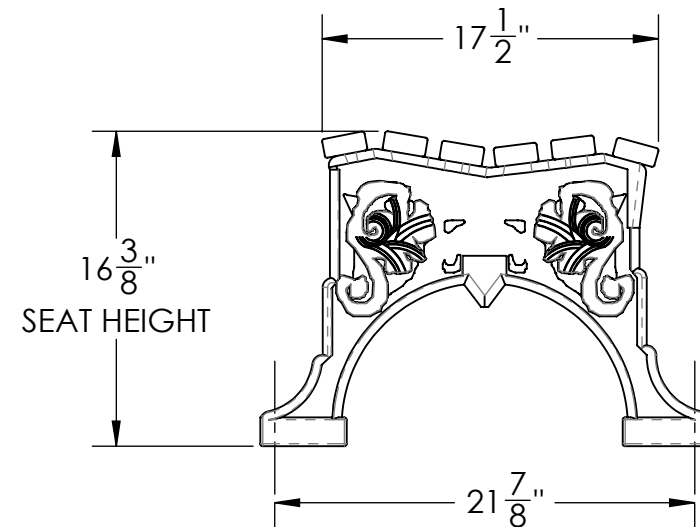
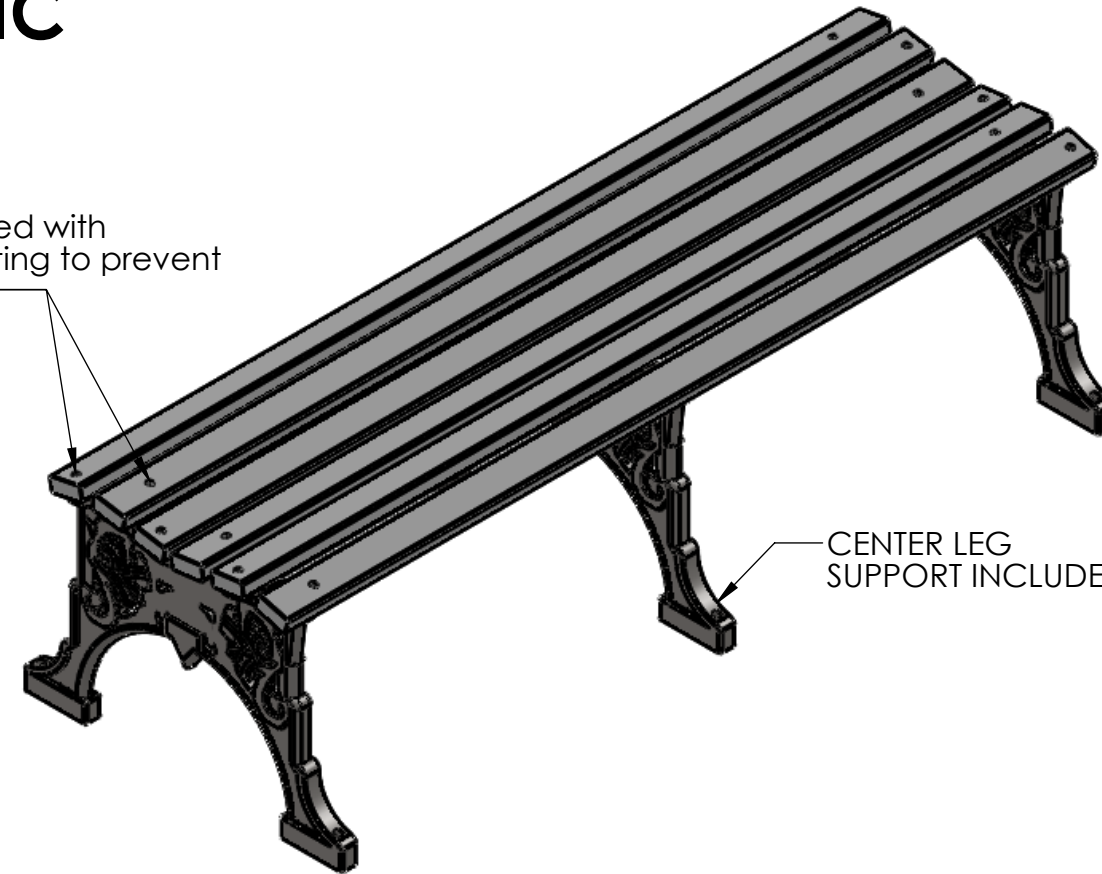
- **Material:** Polystyrene
- **Number of Rails:** 6
- **Finish:** Cedar or Redwood

HARDWARE

- **Carriage Bolts:** 1/4"-20 steel zinc plate, yellow dipped
- **Nuts:** 1/4" steel zinc plate



Engineered with cross-bolting to prevent end play



BOLT DOWN DETAIL

VICTORIAN and RENAISSANCE benches can be drilled for permanent attachment.



DESCRIPTION:

**RENAISSANCE BACKLESS BENCH - 60"
RECYCLED PLASTIC**

ADDRESS:
1350 NORTH AVE.
SANGER, CALIFORNIA 93657
PHONE: (559) 875-8250
FAX: (559) 875-1491
kingsrivercasting@verizon.net

THE INFORMATION CONTAINED IN THIS DRAWING IS THE SOLE PROPERTY OF KINGS RIVER CASTING. ANY REPRODUCTION IN PART OR WHOLE WITHOUT THE WRITTEN PERMISSION OF KINGS RIVER CASTING IS PROHIBITED.

WEIGHT: 45 LBS

SCALE: 1:10

MODEL NUMBER:

RBBP - 60"

SIZE
B