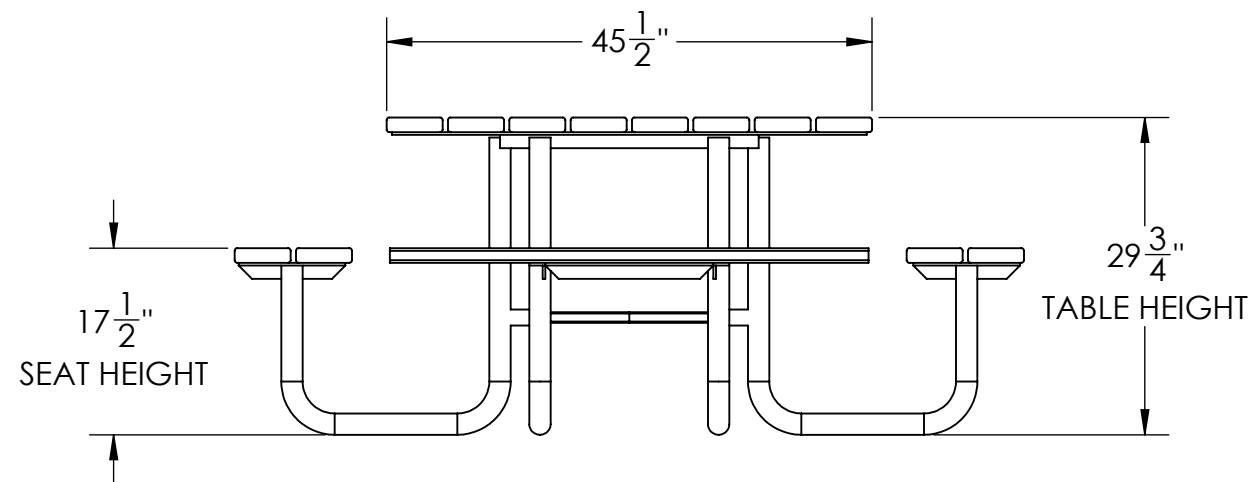
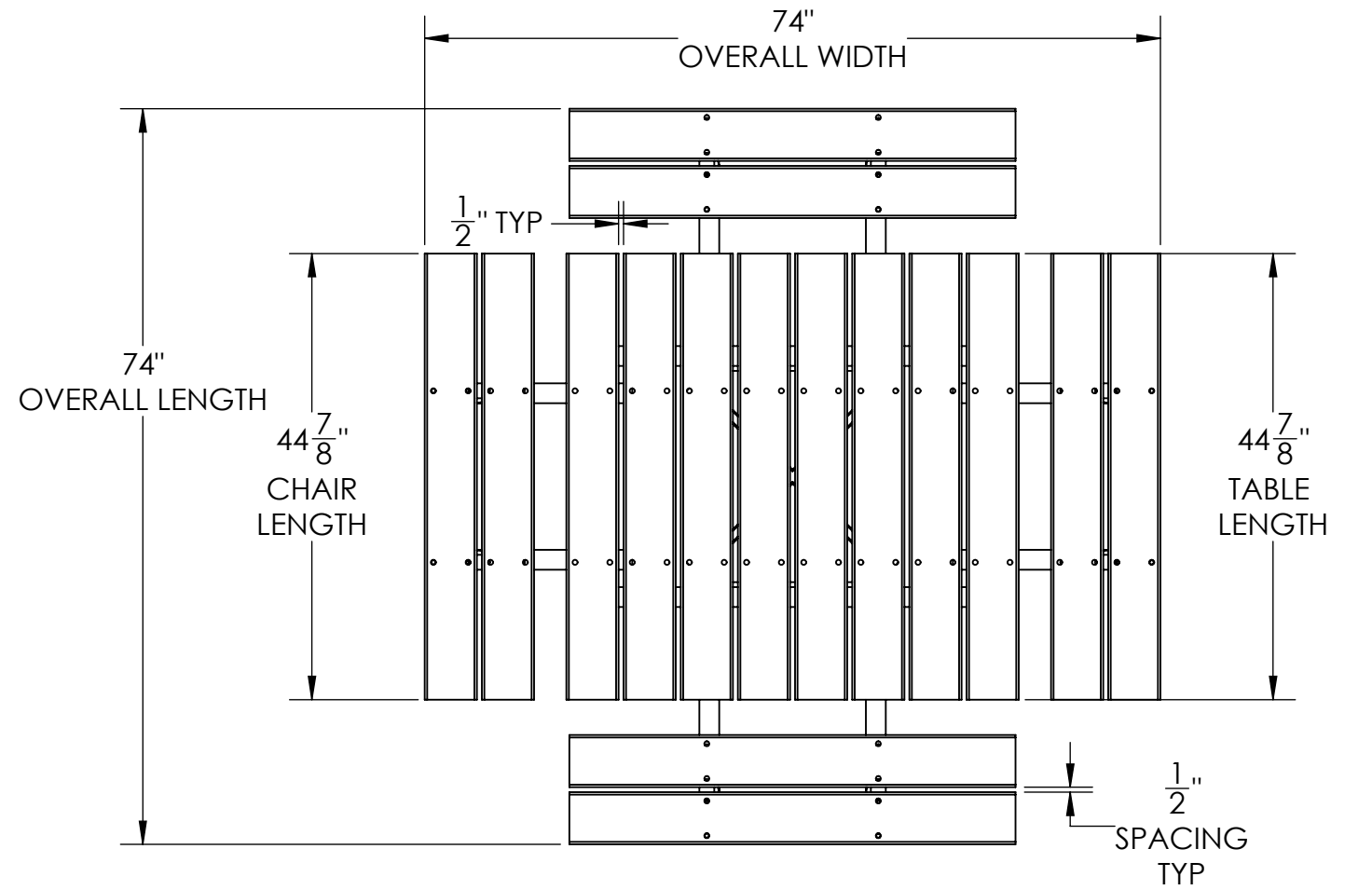
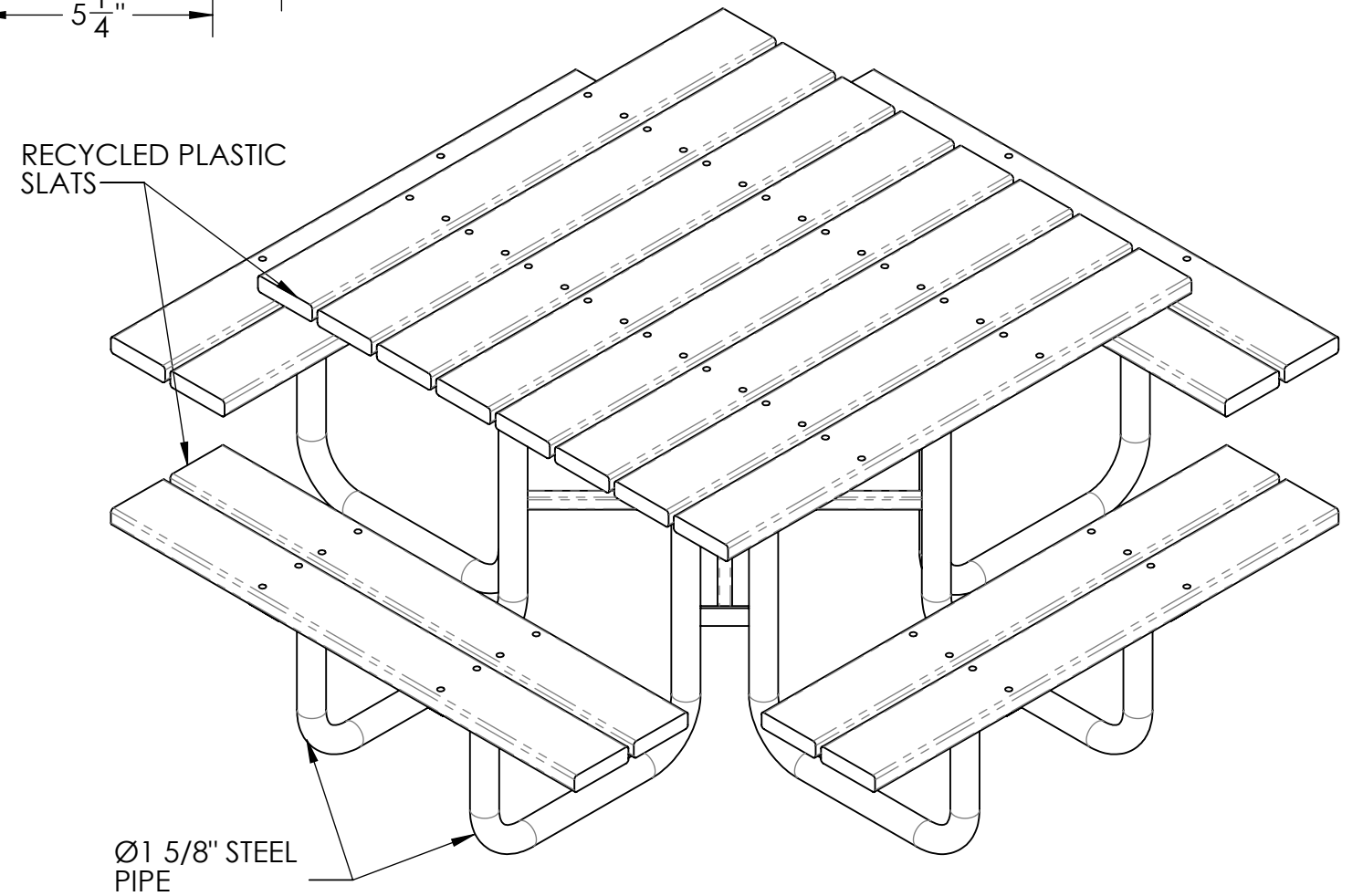
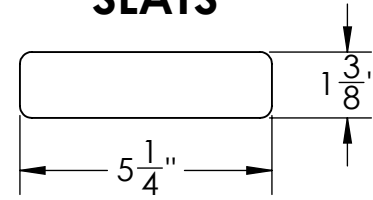


# PRODUCT SPECIFICATIONS

## RECYCLED PLASTIC PICNIC TABLE 45"



### RECYCLED PLASTIC SLATS



#### NOTES:

- \*SLATS ARE GRAY OR BROWN RECYCLED PLASTIC
- \*STANDARD POWDER COATED FRAME COLORS INCLUDE: BLACK, BLUE, WHITE, BROWN, TAN, DARK GREEN, EVERGREEN AND BRONZE.



#### DESCRIPTION:

### RECYCLED PLASTIC PICNIC TABLE 45"

ADDRESS:  
1350 NORTH AVE.  
SANGER, CALIFORNIA 93657  
PHONE: (559) 875-8250  
FAX: (559) 875-1491  
kingsrivercasting@verizon.net

THE INFORMATION CONTAINED IN THIS DRAWING IS THE SOLE PROPERTY OF KINGS RIVER CASTING. ANY REPRODUCTION IN PART OR WHOLE WITHOUT THE WRITTEN PERMISSION OF KINGS RIVER CASTING IS PROHIBITED.

WEIGHT: 335 LBS SCALE: 1:18

MODEL NUMBER:  
**RPPT 45"**

SIZE  
**B**