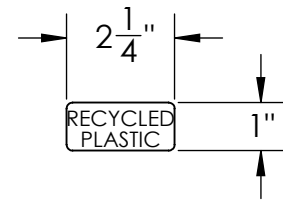


# PRODUCT SPECIFICATIONS

## IRON VALLEY SLATTED BACKLESS BENCH - 96" RECYCLED PLASTIC

- All metal fabricated parts are etched, phosphatized, preheated, primer powder coated, and final coat electrostatically powder coated.
- Colors include: Black, Evergreen, Dark Green White, Tan, Dark Brown, and Blue.
- Special order colors available.
- This product can ship either knocked down or assembled.



Hardware:  
(6) 1/2" x 2 1/2"  
Stainless Steel Flat  
Head Bolts

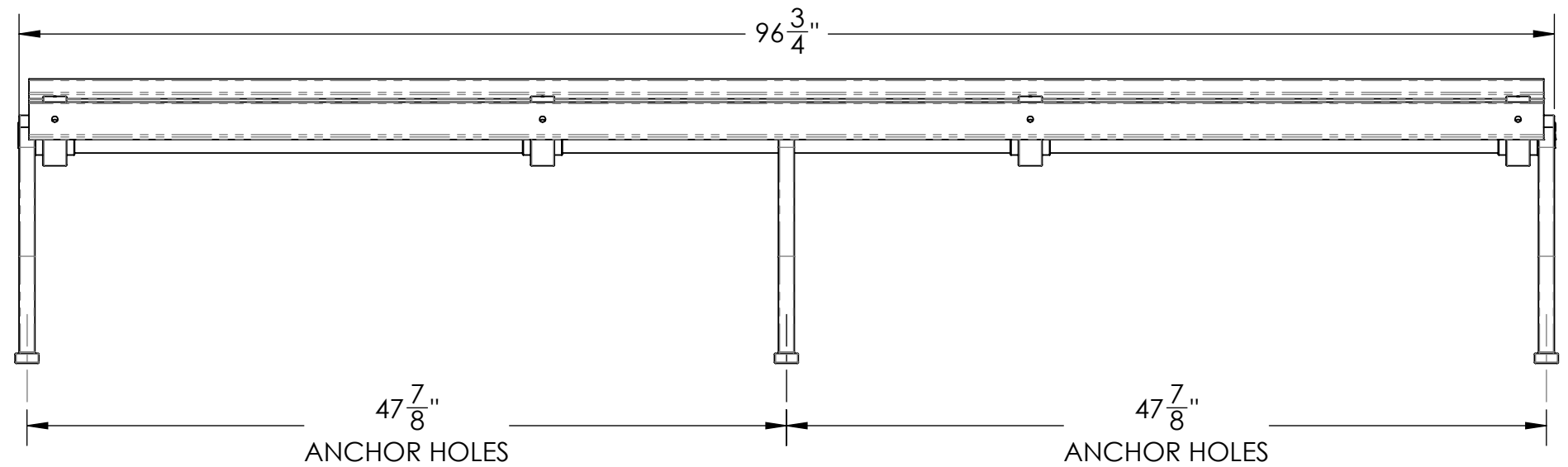
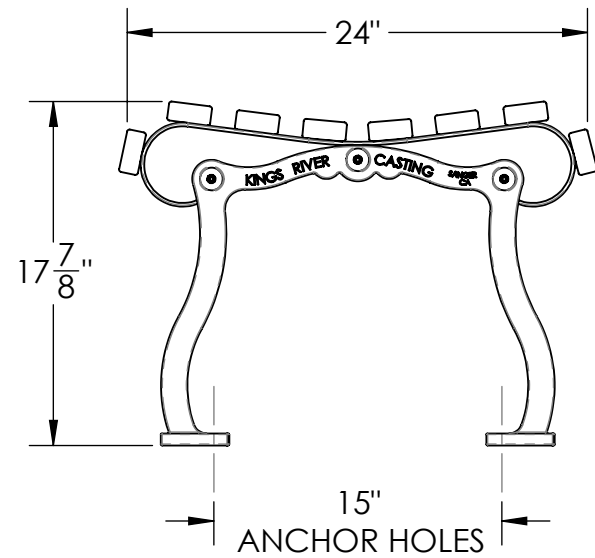
(6) Ø1/2"  
Mounting Holes

1 1/4" x .120  
Wall Round Tube Supports

Slats Are Formed From  
Astm 1018 Cold  
Rolled Steel Bar.  
1 1/2" x 3/16"

Center Leg  
Support

65-45-12 Ductile  
Iron Castings



### NOTE:

It is not recommended to locate anchor bolts until the bench is in place. Anchor bolts not included.



DESCRIPTION:  
**IRON VALLEY SLATTED BACKLESS BENCH - 96"  
RECYCLED PLASTIC**

ADDRESS:  
1350 NORTH AVE.  
SANGER, CALIFORNIA 93657  
PHONE: (559) 875-8250  
FAX: (559) 875-1491  
kingsrivercasting@verizon.net

THE INFORMATION CONTAINED IN THIS DRAWING  
IS THE SOLE PROPERTY OF KINGS RIVER CASTING.  
ANY REPRODUCTION IN PART OR WHOLE WITHOUT THE  
WRITTEN PERMISSION OF KINGS RIVER CASTING IS PROHIBITED.

WEIGHT: 135 LBS  
MODEL NUMBER:

SCALE: 1:10

**IVSBBLF- 96"**

SIZE  
**B**