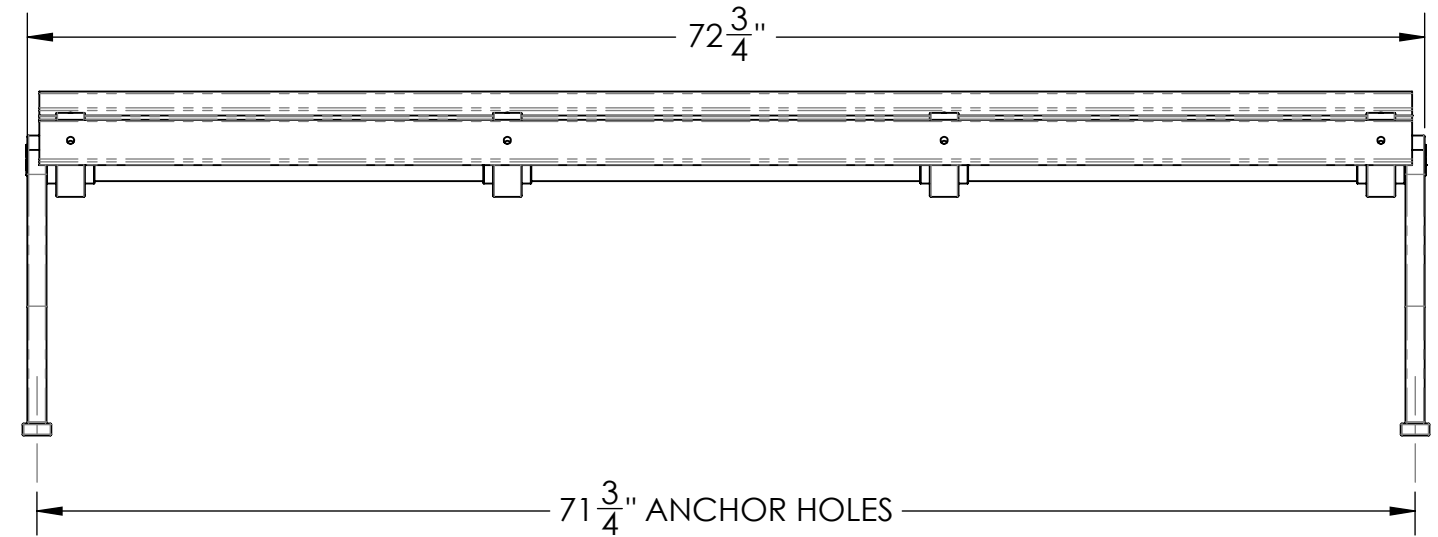
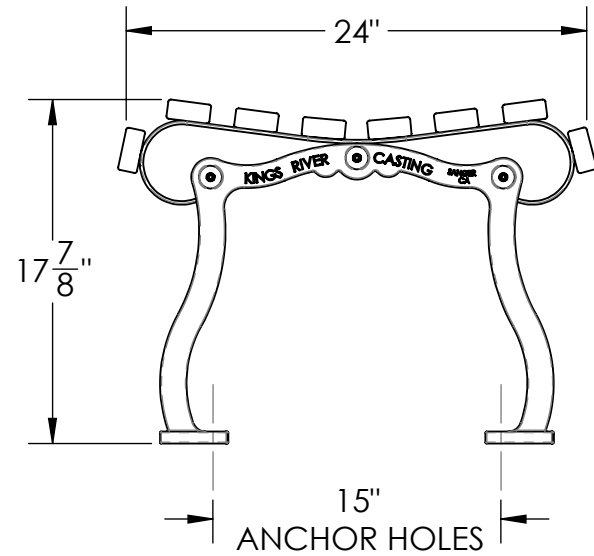
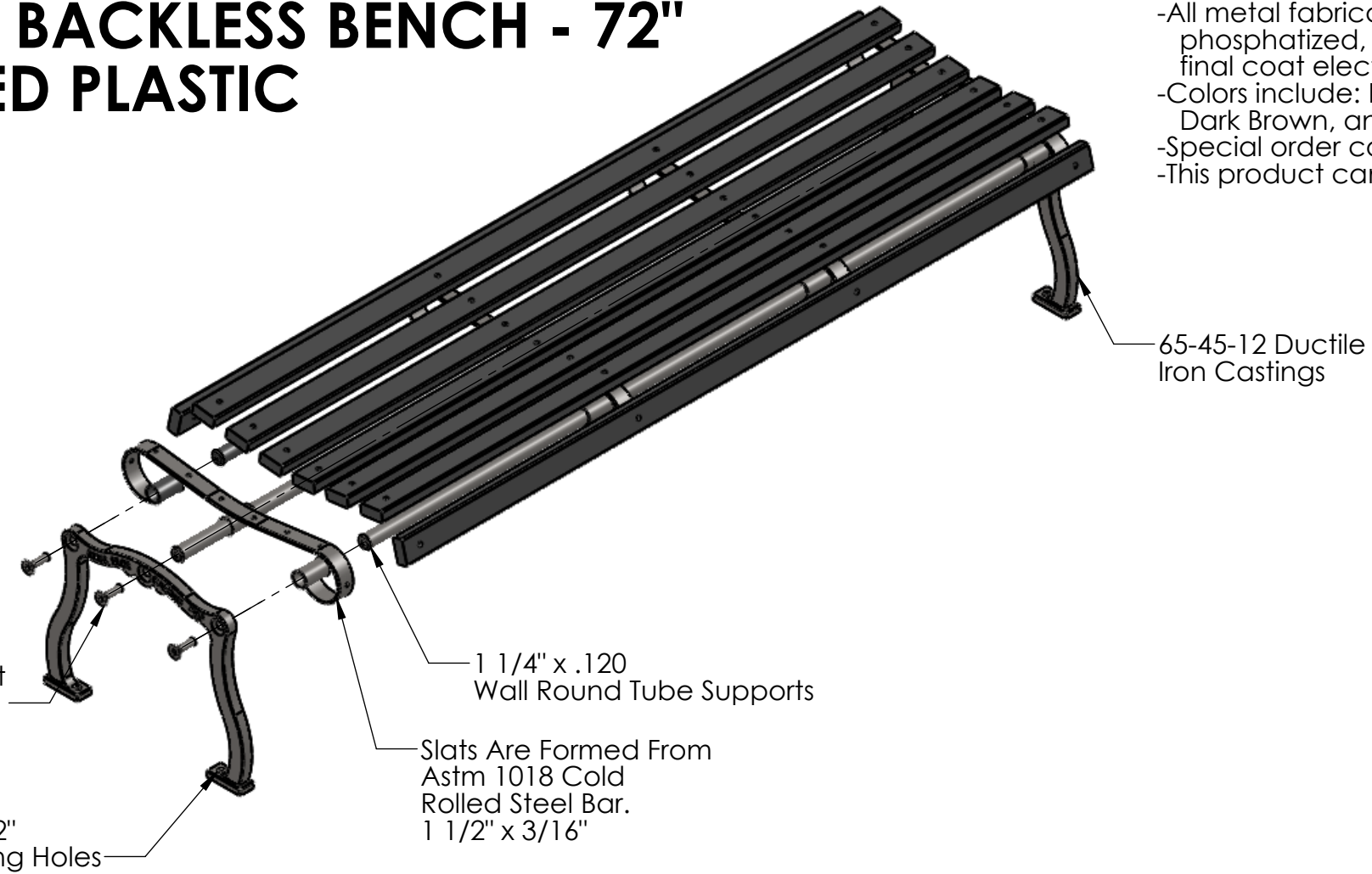
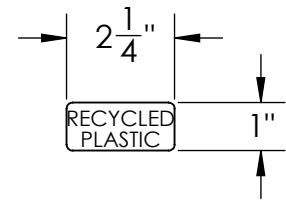


PRODUCT SPECIFICATIONS

IRON VALLEY SLATTED BACKLESS BENCH - 72" RECYCLED PLASTIC

- All metal fabricated parts are etched, phosphatized, preheated, primer powder coated, and final coat electrostatically powder coated.
- Colors include: Black, Evergreen, Dark Green White, Tan, Dark Brown, and Blue.
- Special order colors available.
- This product can ship either knocked down or assembled.



NOTE:

It is not recommended to locate anchor bolts until the bench is in place. Anchor bolts not included.



DESCRIPTION:
**IRON VALLEY SLATTED BACKLESS BENCH - 72"
RECYCLED PLASTIC**

ADDRESS:
1350 NORTH AVE.
SANGER, CALIFORNIA 93657
PHONE: (559) 875-8250
FAX: (559) 875-1491
kingsrivercasting@verizon.net

THE INFORMATION CONTAINED IN THIS DRAWING IS THE SOLE PROPERTY OF KINGS RIVER CASTING. ANY REPRODUCTION IN PART OR WHOLE WITHOUT THE WRITTEN PERMISSION OF KINGS RIVER CASTING IS PROHIBITED.

WEIGHT: 108 LBS	SCALE: 1:10
MODEL NUMBER: IVSBBC-72"	SIZE B