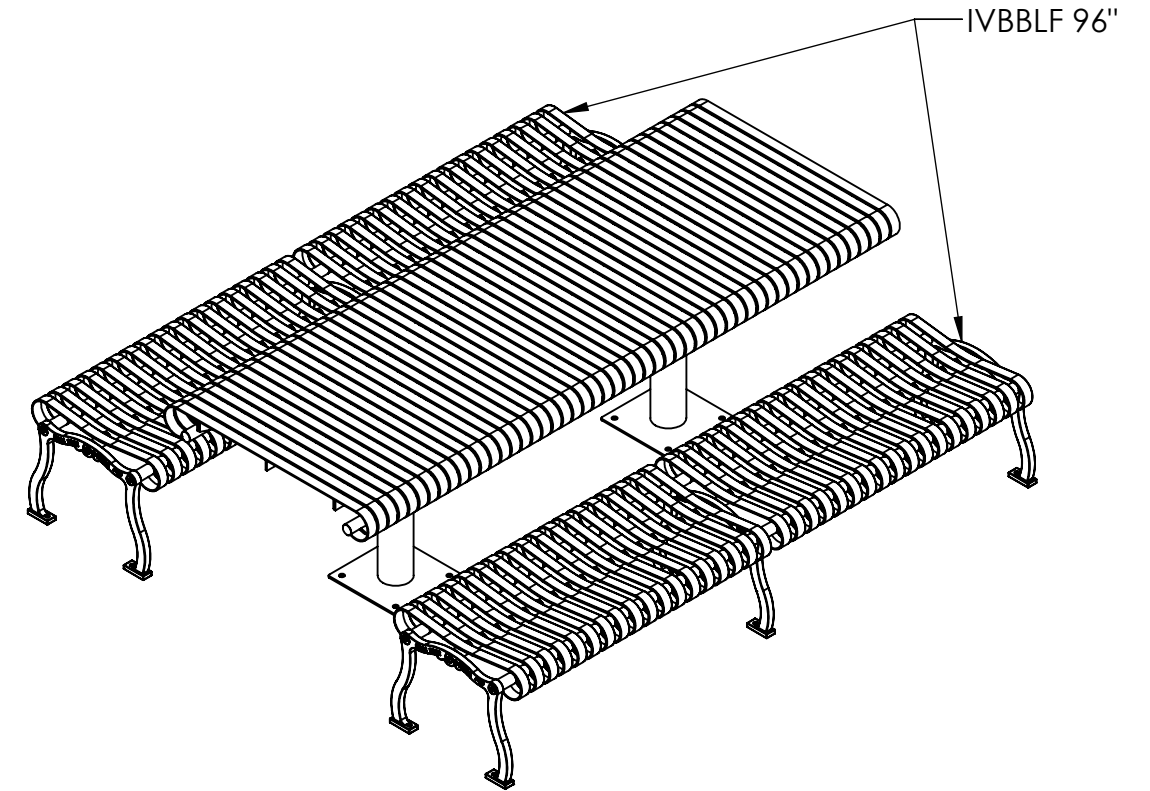
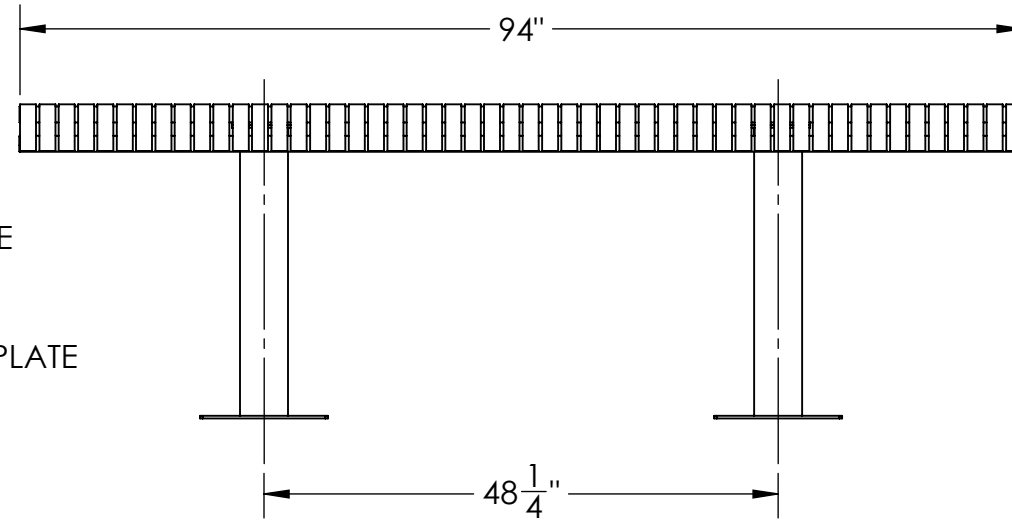
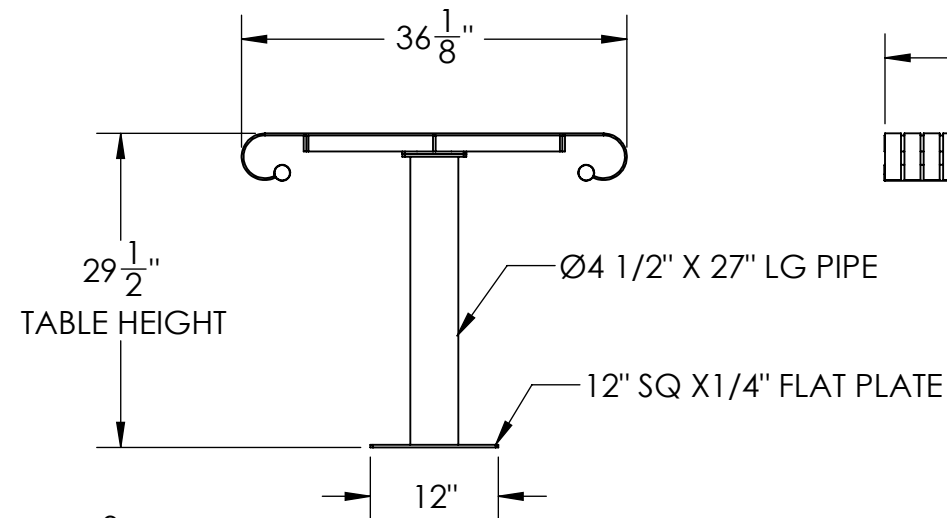
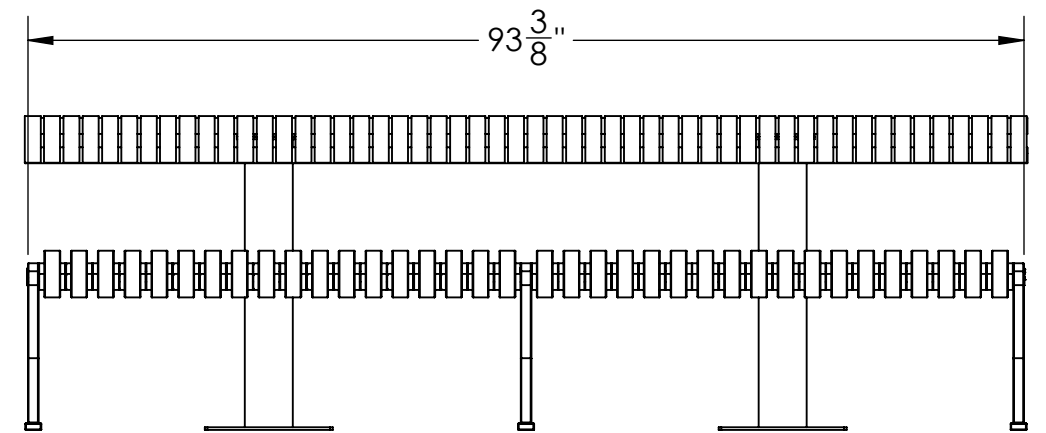
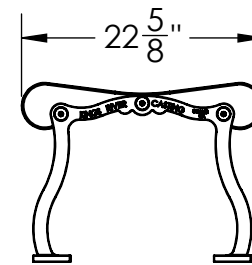
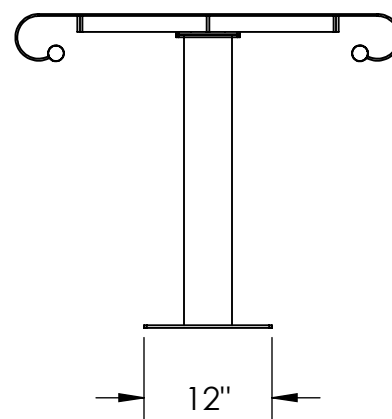
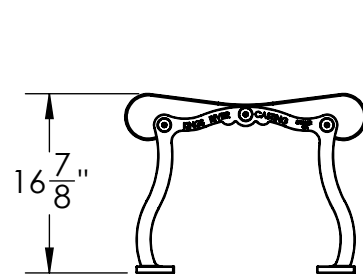
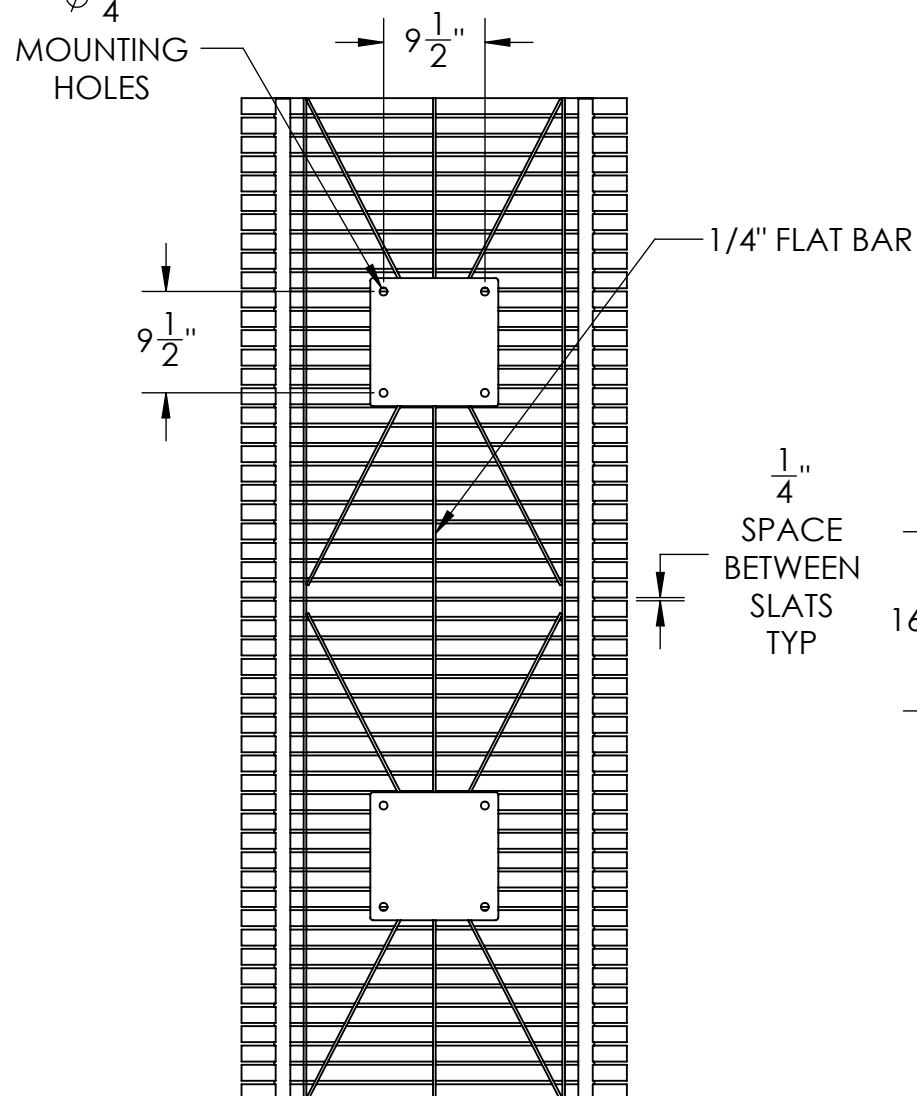


# PRODUCT SPECIFICATIONS

## IRON VALLEY PICNIC TABLE - 8'



**NOTE:**  
TABLE INCLUDES 2 MATCHING BACKLESS BENCHES (IVBBLF 96").  
**SPECIFY:** SURFACE MOUNT (**SM**) OR IN GROUND MOUNT (**IG**)



**NOTE:**  
ALL SLATS ARE FORMED  
ASTM 1018 COLD ROLLED  
STEEL - 1 1/2" X 3/16"



<b>DESCRIPTION:</b>		<b>IRON VALLEY PICNIC TABLE - 8'</b>	
<b>ADDRESS:</b> 1350 NORTH AVE. SANGER, CALIFORNIA 93857 PHONE: (559) 875-8250 FAX: (559) 875-1491 kingsrivercasting@verizon.net		THE INFORMATION CONTAINED IN THIS DRAWING IS THE SOLE PROPERTY OF KINGS RIVER CASTING. ANY REPRODUCTION IN PART OR WHOLE WITHOUT THE WRITTEN PERMISSION OF KINGS RIVER CASTING IS PROHIBITED.	<b>WEIGHT:</b> 830 LBS <b>SCALE:</b> 1:18
		<b>MODEL NUMBER:</b> <b>IVPT - 8'</b>	<b>SIZE</b> <b>B</b>