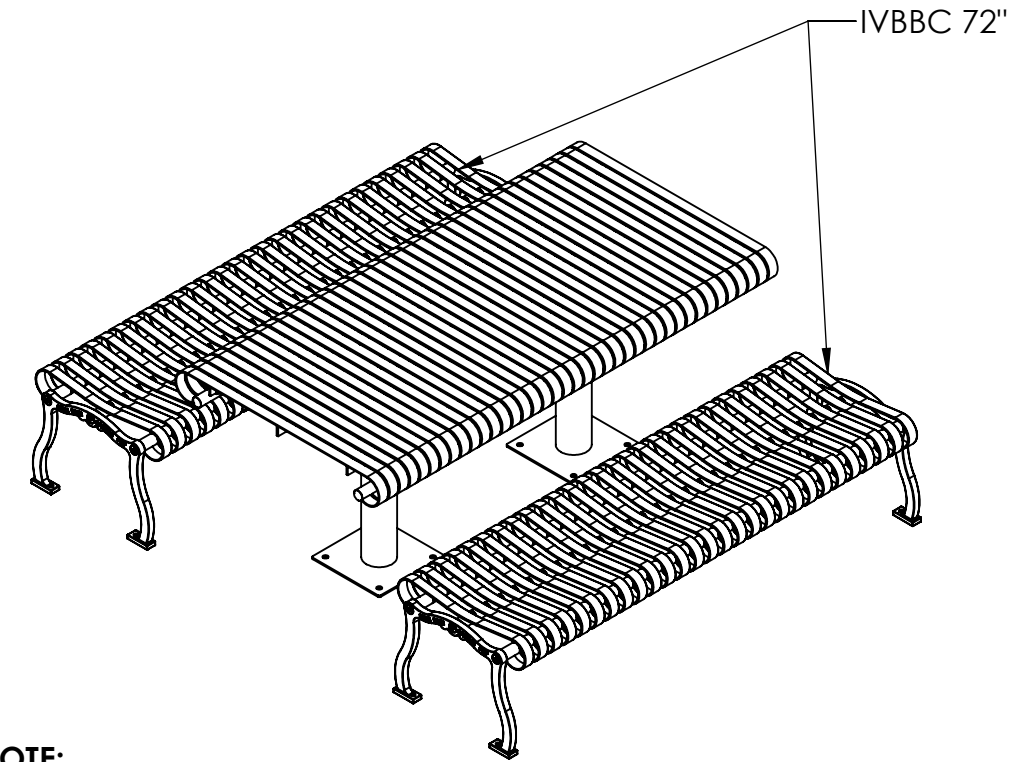
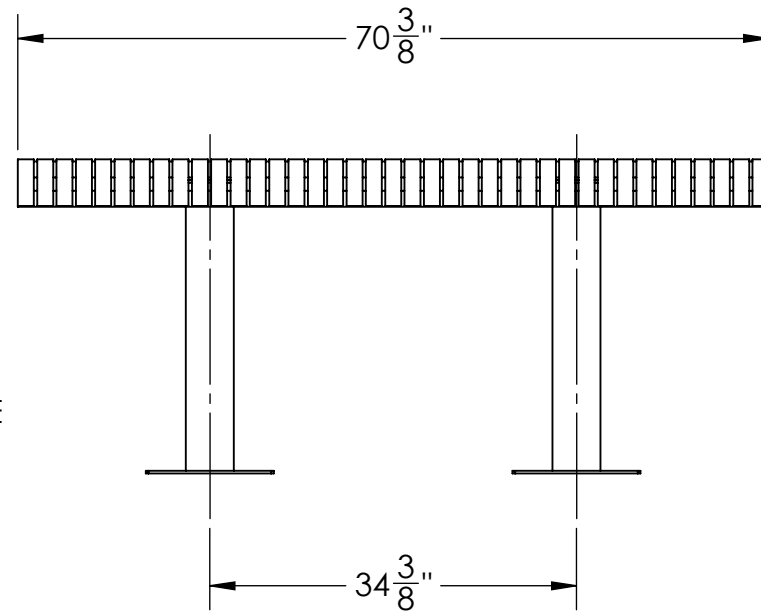
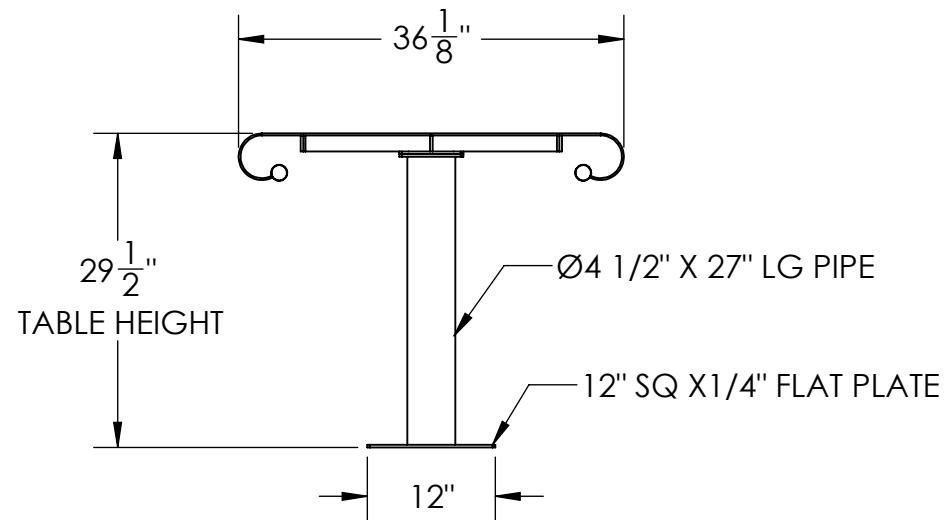
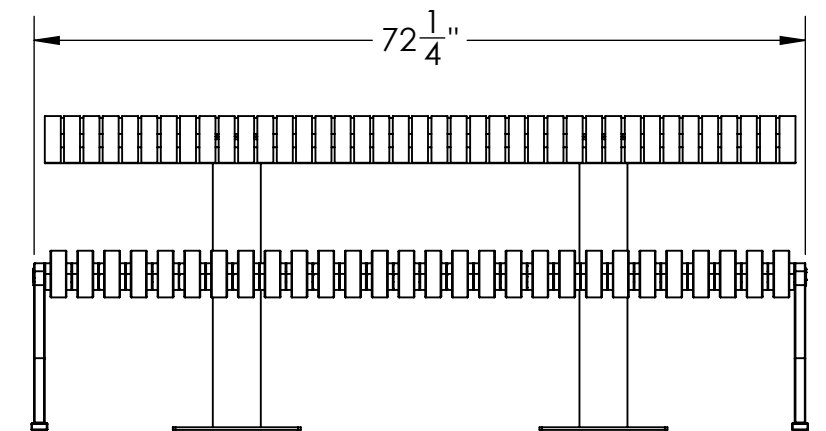
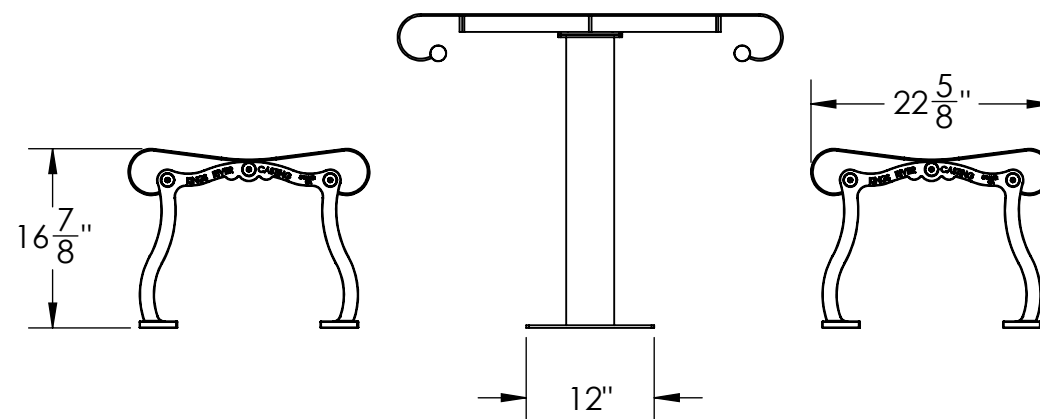
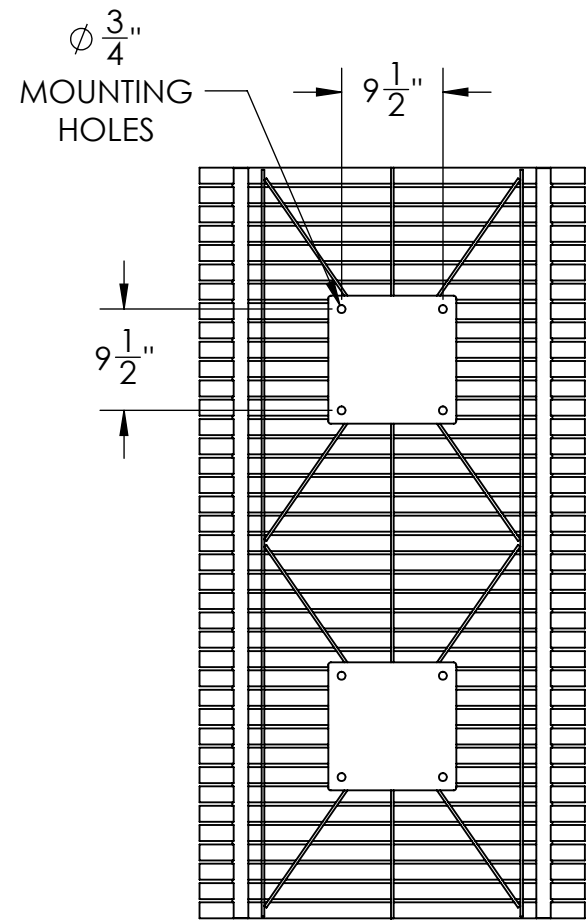


# PRODUCT SPECIFICATIONS

## IRON VALLEY PICNIC TABLE - 6'



**NOTE:**  
 TABLE INCLUDES 2 MATCHING BACKLESS BENCHES (IVBBC 72'').  
**SPECIFY:** SURFACE MOUNT (SM) OR IN GROUND MOUNT (IG)



**NOTE:**  
 ALL SLATS ARE FORMED  
 ASTM 1018 COLD ROLLED  
 STEEL -  $1\frac{1}{2}" \times 3/16"$



**DESCRIPTION:**

**IRON VALLEY PICNIC TABLE - 6'**

**ADDRESS:**  
 1350 NORTH AVE.  
 SANGER, CALIFORNIA 93857  
 PHONE: (559) 875-8250  
 FAX: (559) 875-1491  
[kingsrivercasting@verizon.net](mailto:kingsrivercasting@verizon.net)

THE INFORMATION CONTAINED IN THIS DRAWING IS THE SOLE PROPERTY OF KINGS RIVER CASTING. ANY REPRODUCTION IN PART OR WHOLE WITHOUT THE WRITTEN PERMISSION OF KINGS RIVER CASTING IS PROHIBITED.

**WEIGHT:** 660 LBS    **SCALE:** 1:18  
**MODEL NUMBER:**  
**IVPT - 6'**

**SIZE**  
**B**