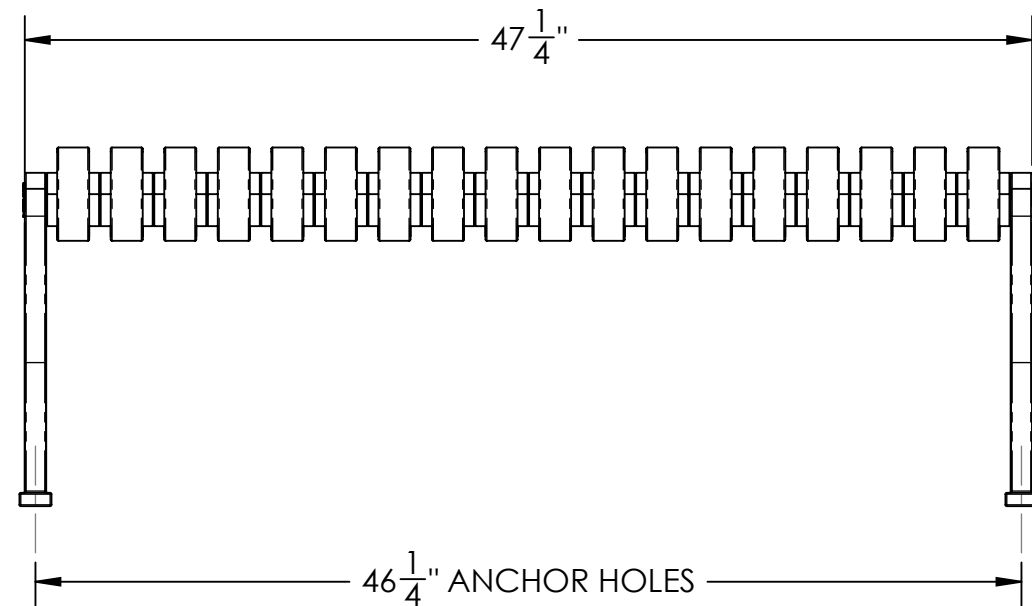
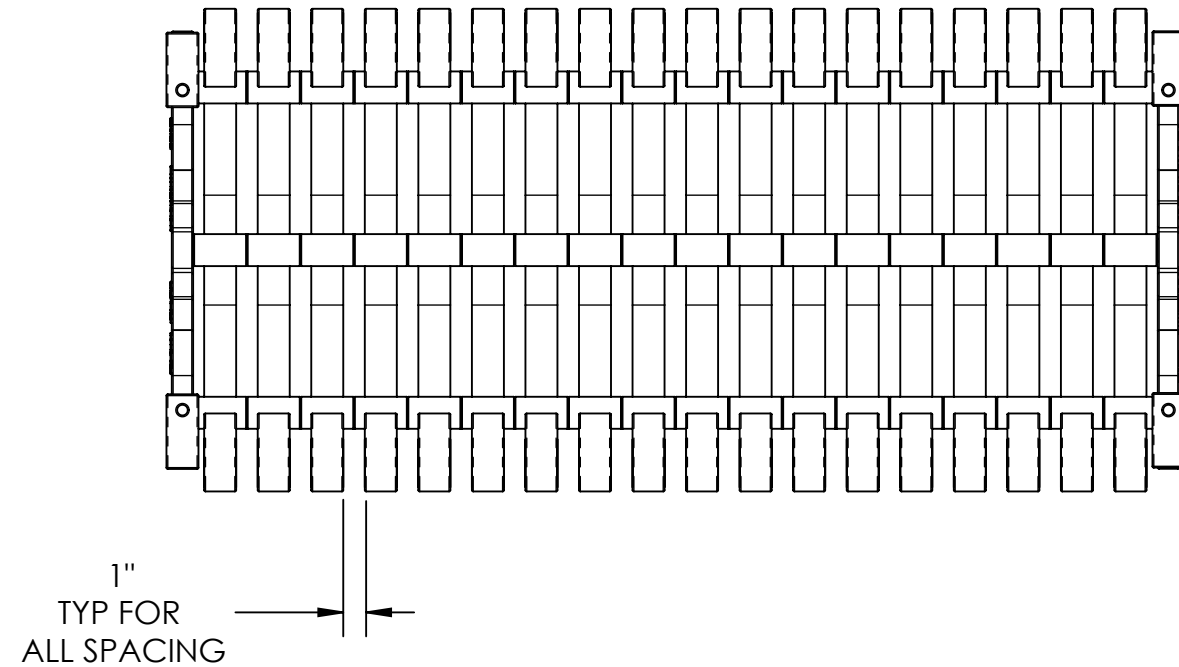
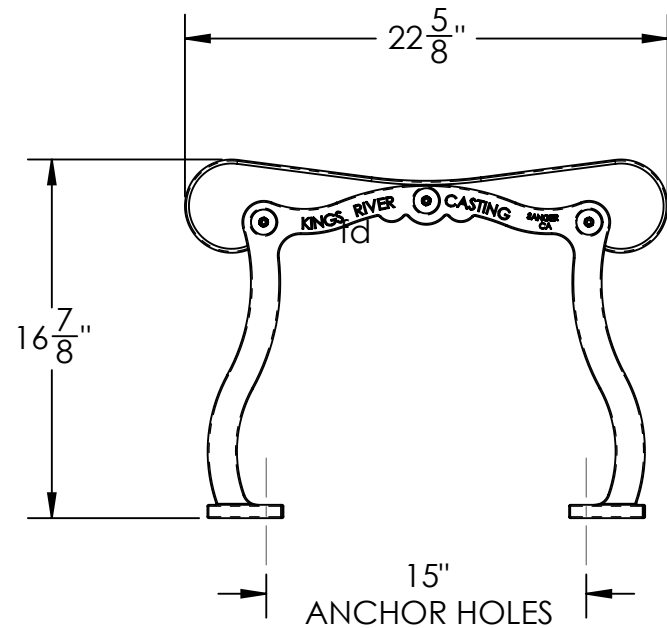
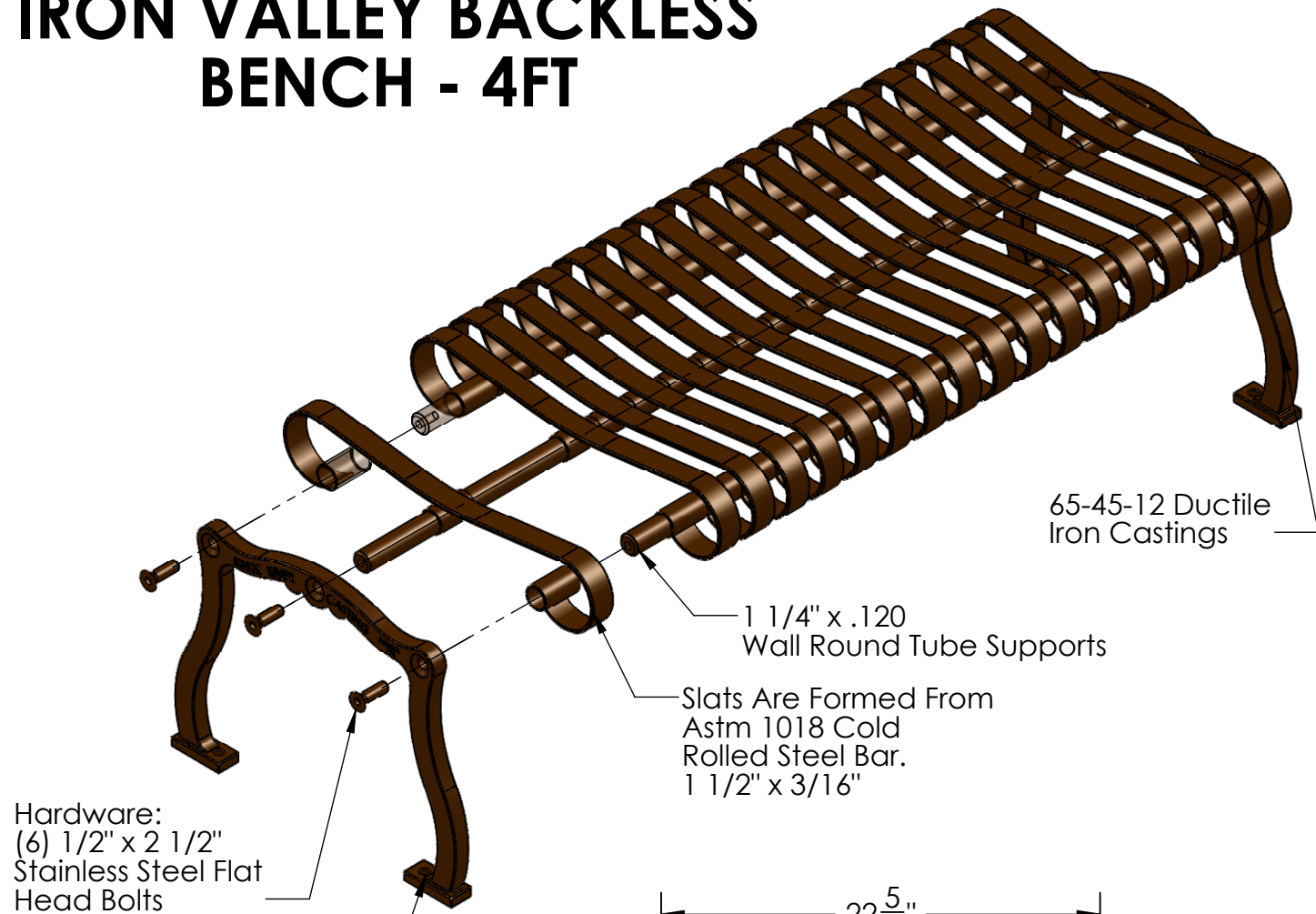


# PRODUCT SPECIFICATIONS

## IRON VALLEY BACKLESS BENCH - 4FT

- All metal fabricated parts are etched, phosphatized, preheated, primer powder coated, and final coat electrostatically powder coated.
- Colors include: Black, Evergreen, Dark Green White, Tan, Dark Brown, and Blue.
- Special order colors available.
- This product can ship either knocked down or assembled.



**NOTE:**  
It is not recommended to locate anchor bolts until the bench is in place. Anchor bolts not included.



<b>DESCRIPTION:</b>		<b>IRON VALLEY BACKLESS BENCH - 4FT</b>	
<b>ADDRESS:</b> 1350 NORTH AVE. SANGER, CALIFORNIA 93657 PHONE: (559) 875-8250 FAX: (559) 875-1491 kingsrivercasting@verizon.net	THE INFORMATION CONTAINED IN THIS DRAWING IS THE SOLE PROPERTY OF KINGS RIVER CASTING. ANY REPRODUCTION IN PART OR WHOLE WITHOUT THE WRITTEN PERMISSION OF KINGS RIVER CASTING IS PROHIBITED.	<b>WEIGHT:</b> 115 LBS	<b>SCALE:</b> 1:9
		<b>MODEL NUMBER:</b> <b>IVBBS - 48"</b>	<b>SIZE</b> <b>B</b>