

PRODUCT SPECIFICATIONS

MODEL NO: **EMTR - 32**

WEIGHT: **70 lbs.**

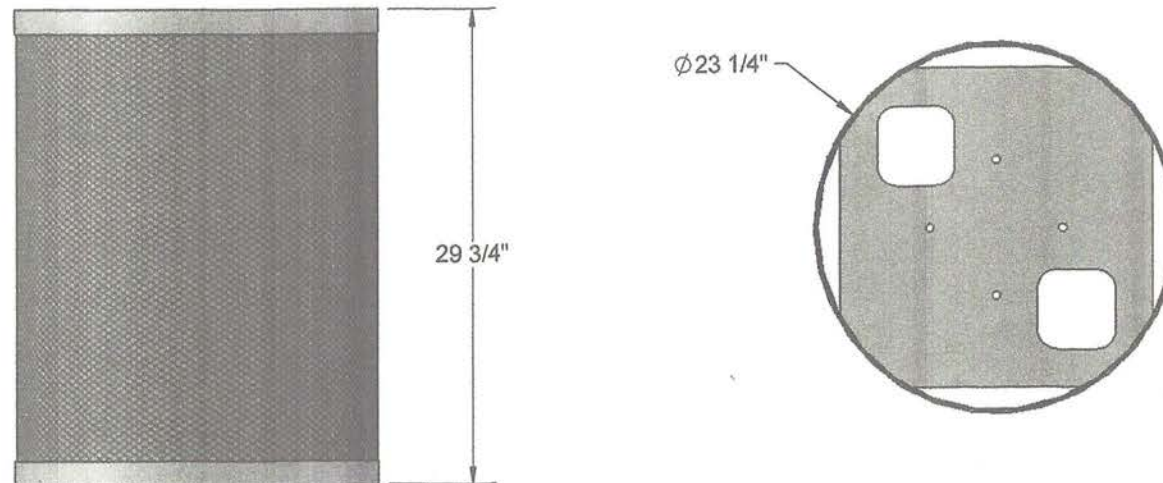
32 GALLON TRASH RECEPTACLE

Receptacle Coating: Oven fused functionalized polyethylene copolymer-based thermoplastic. Fluidized bed coating application with superior mechanical performance, impact resistance and UV-stability.

Material: 3/4" #9 steel expanded metal. 11 gauge x 1-1/2" flat strip border the top and bottom of the expanded metal, and the vertical seam. Bottom plate fabricated from 11 gauge sheet steel laser cut for a precision fit. All electrically MIG welded.

Receptacle Dimensions: 23-1/4" diameter x 29-3/4" high x 32 gallon capacity.

Hardware: Attachment hardware and mounting kit not included (7/16" diameter holes provided in receptacle for mounting).



32 GALLON FLAT TOP

Material: Top plate shall be fabricated from 18 gauge steel flat, spun to form. Outside shall have a 1" radius.

Coating: Oven fused functionalized polyethylene copolymer-based thermoplastic.

Fluidized bed coating application with superior mechanical performance, impact resistance and UV-stability.



FTR-32-08

Receptacle Dimensions:
 Center opening shall be an 8" inside diameter. The overall dimensions shall be 24" diameter x 2" high.



FTR-32-14

Receptacle Dimensions:
 Center opening shall be a 14" inside diameter. The overall dimensions shall be 24" diameter x 2" high.

32 GALLON RAIN BONNET TOP

Material: Top plate shall be fabricated from 18 gauge steel flat, spun to form. Vertical posts are 1/2" diameter steel rods. Bonnet top shall be fabricated from 20 gauge steel flat, spun to form. All electrically MIG welded.

Coating: Oven fused functionalized polyethylene copolymer-based thermoplastic.

Fluidized bed coating application with superior mechanical performance, impact resistance and UV-stability.



RBR-32-08

Receptacle Dimensions:
 Center opening shall be 8" inside diameter. The overall dimensions shall be 24" diameter x 11" high.



RBR-32-14

Receptacle Dimensions:
 Center opening shall be an 14" inside diameter. The overall dimensions shall be 24" diameter x 11" high.