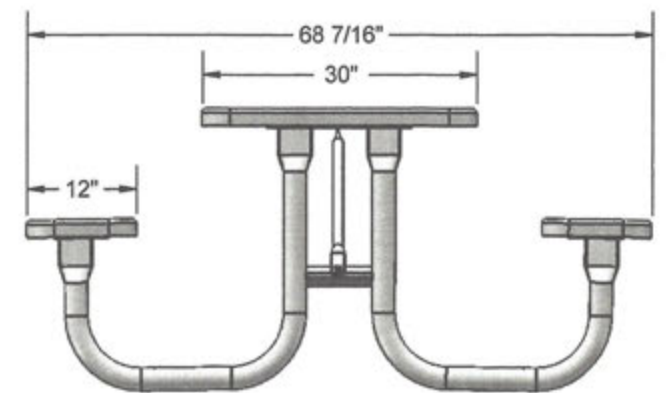
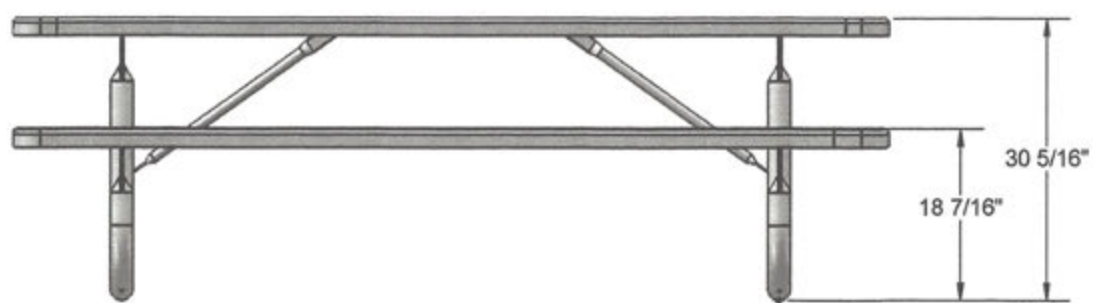
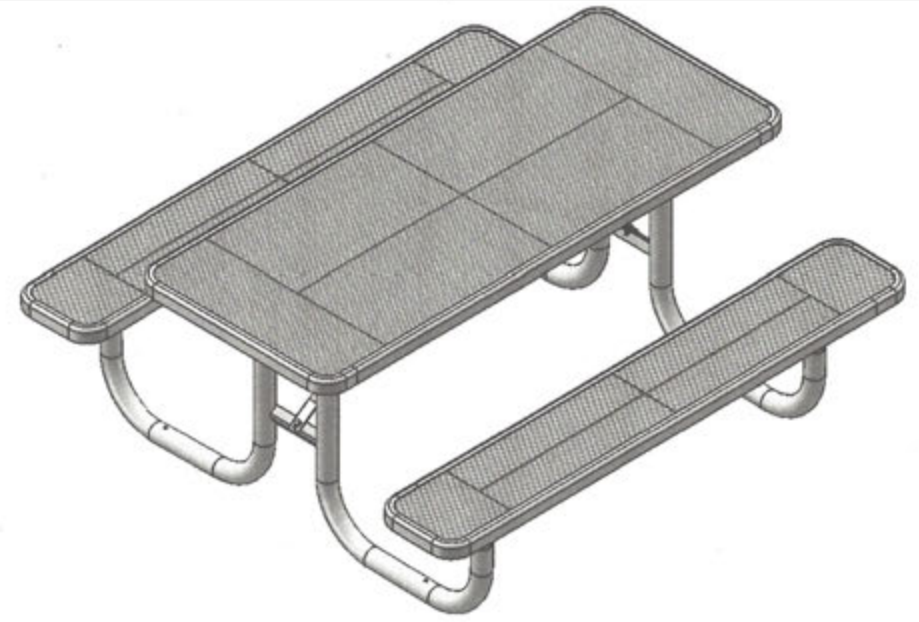
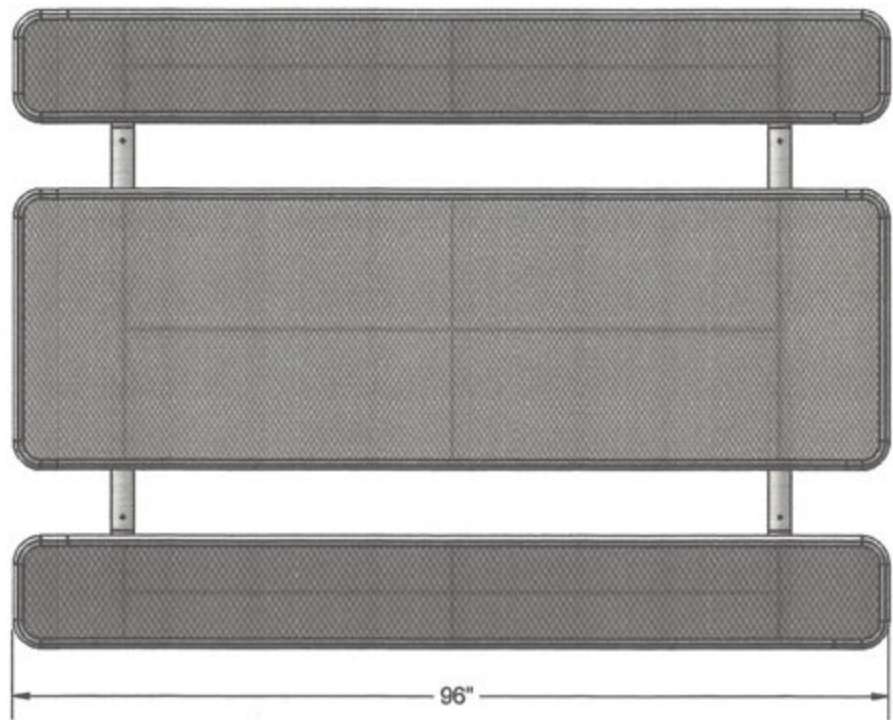




# PRODUCT SPECIFICATIONS

MODEL NO: **EMPT - 8**

WEIGHT: **215 lbs.**



[sales@kingsrivercasting.com](mailto:sales@kingsrivercasting.com)  
1-888-545-5157