

# PRODUCT SPECIFICATIONS

## DECO BENCH - 8FT

### MOUNTING BASE TYPE INCLUDE:

FREE STANDING MOUNT (FS)

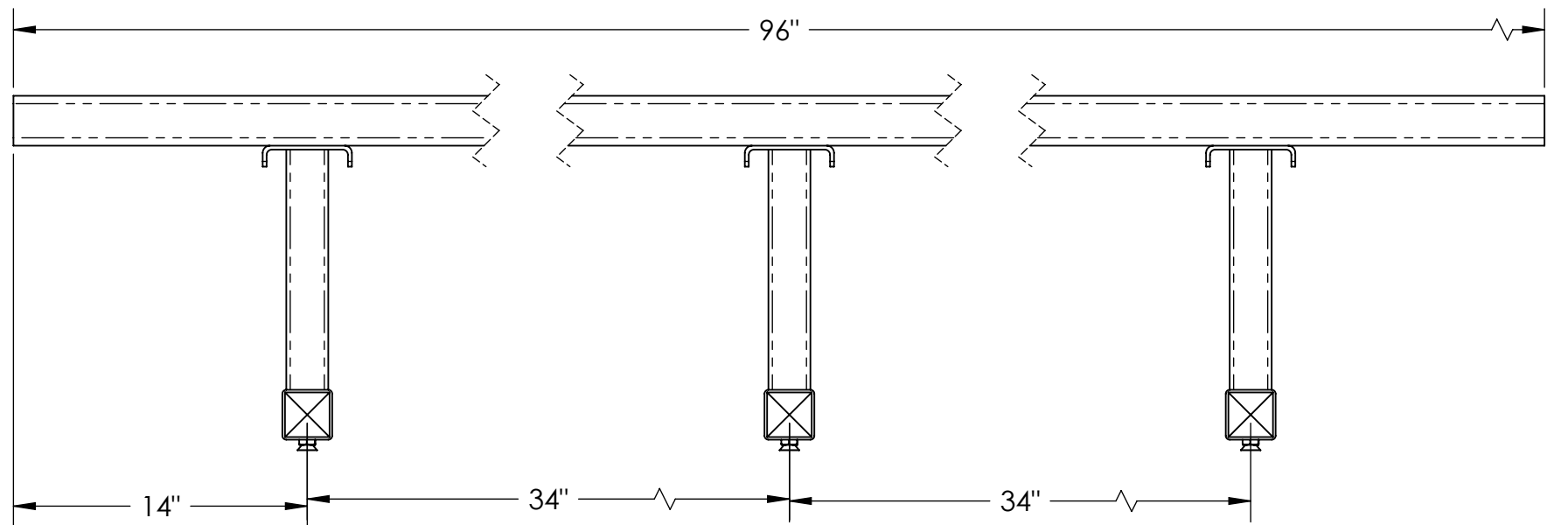
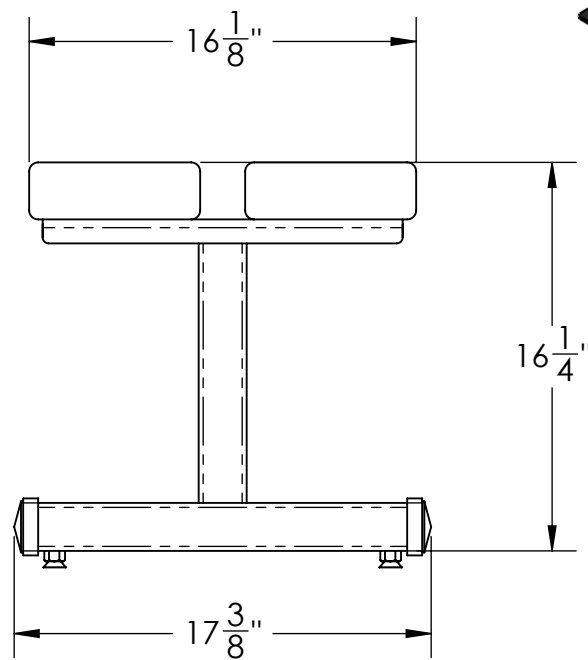
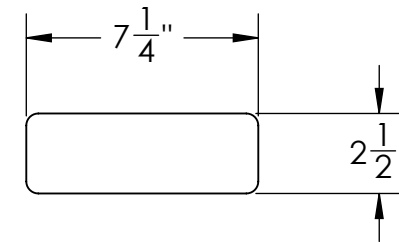
IN-GROUND MOUNT (IM)

SURFACE MOUNT (SM)

LEVELING FEET AVAILABLE WITH FREE STANDING OPTION

RECYCLED PLASTIC SLATS

### RECYCLED PLASTIC SLATS



#### DESCRIPTION:

### DECO BENCH - 8FT

ADDRESS:  
1350 NORTH AVE.  
SANGER, CALIFORNIA 93657  
PHONE: (559) 875-8250  
FAX: (559) 875-1491  
kingsrivercasting@verizon.net

THE INFORMATION CONTAINED IN THIS DRAWING IS THE SOLE PROPERTY OF KINGS RIVER CASTING. ANY REPRODUCTION IN PART OR WHOLE WITHOUT THE WRITTEN PERMISSION OF KINGS RIVER CASTING IS PROHIBITED.

WEIGHT: 143 LBS SCALE: 1:8

MODEL NUMBER:  
**DB - 8'**

SIZE  
**B**