

# PRODUCT SPECIFICATIONS

## DECO BENCH - 6FT

### MOUNTING BASE TYPE INCLUDE:

FREE STANDING MOUNT  
(FS)

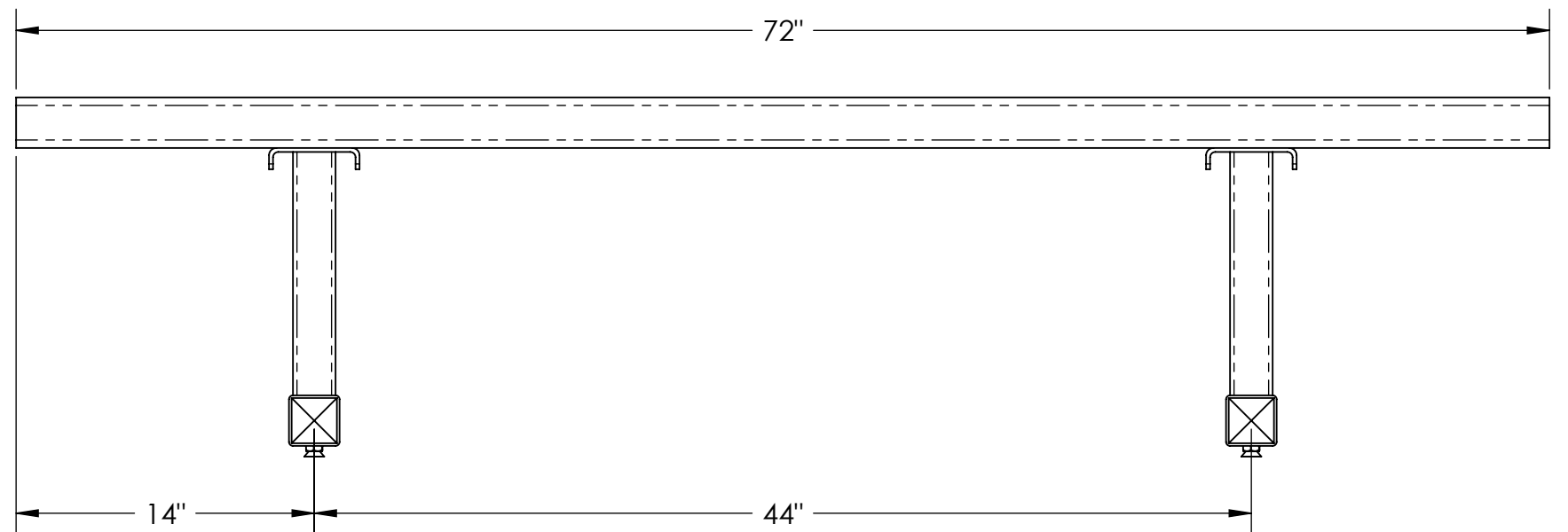
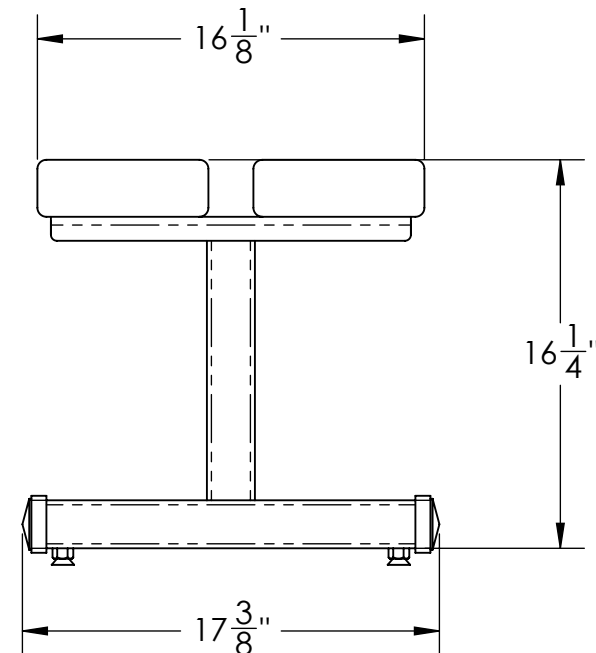
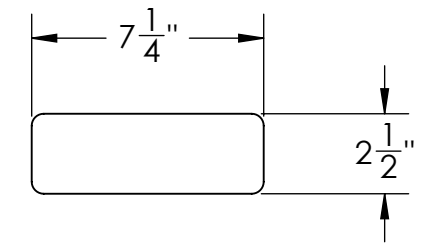
IN-GROUND MOUNT  
(IM)

SURFACE MOUNT  
(SM)

RECYCLED PLASTIC  
SLATS

LEVELING FEET  
AVAILABLE WITH FREE  
STANDING OPTION

### RECYCLED PLASTIC SLATS



#### DESCRIPTION:

### DECO BENCH - 6FT

ADDRESS:  
1350 NORTH AVE.  
SANGER, CALIFORNIA 93657  
PHONE: (559) 875-8250  
FAX: (559) 875-1491  
kingsrivercasting@verizon.net

THE INFORMATION CONTAINED IN THIS DRAWING IS THE SOLE PROPERTY OF KINGS RIVER CASTING. ANY REPRODUCTION IN PART OR WHOLE WITHOUT THE WRITTEN PERMISSION OF KINGS RIVER CASTING IS PROHIBITED.

WEIGHT: 104 LBS SCALE: 1:8  
MODEL NUMBER:  
**DB - 6'**

SIZE  
**B**