

PRODUCT SPECIFICATIONS

DECO BENCH - 5FT

MOUNTING BASE TYPE INCLUDE:

FREE STANDING MOUNT (FS)

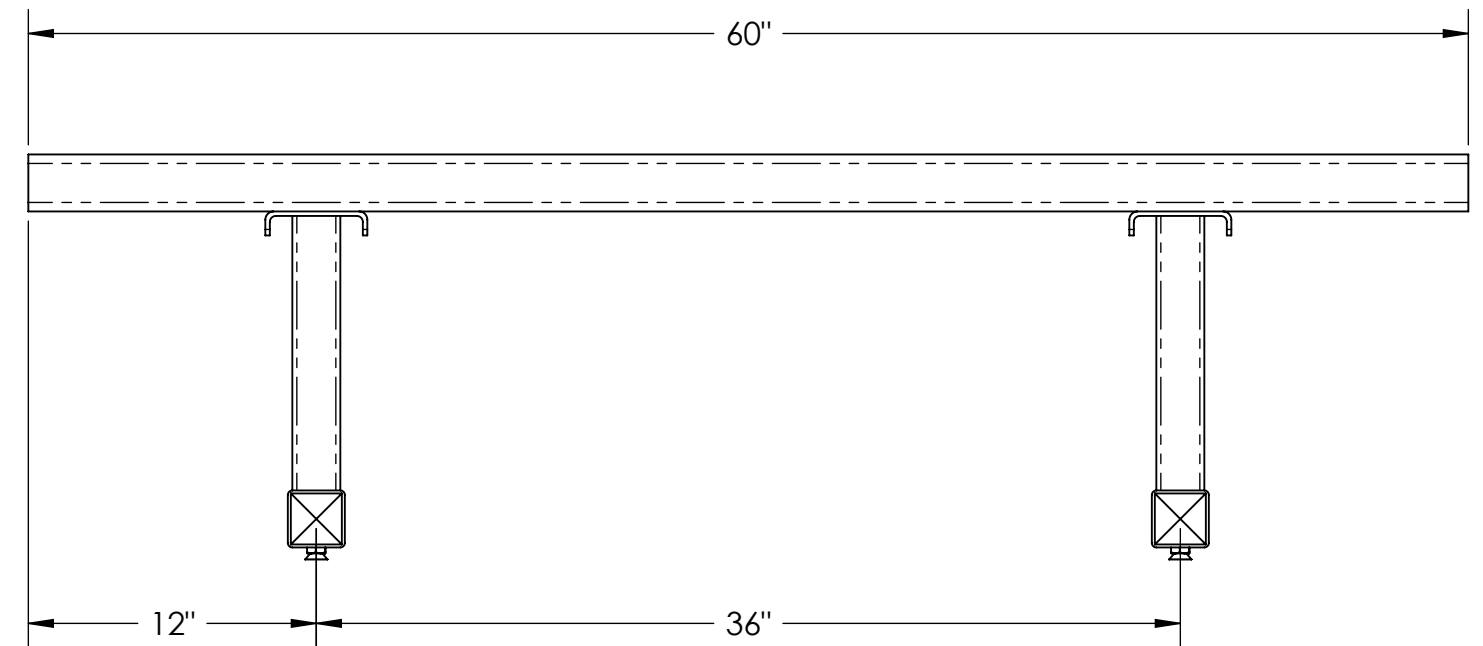
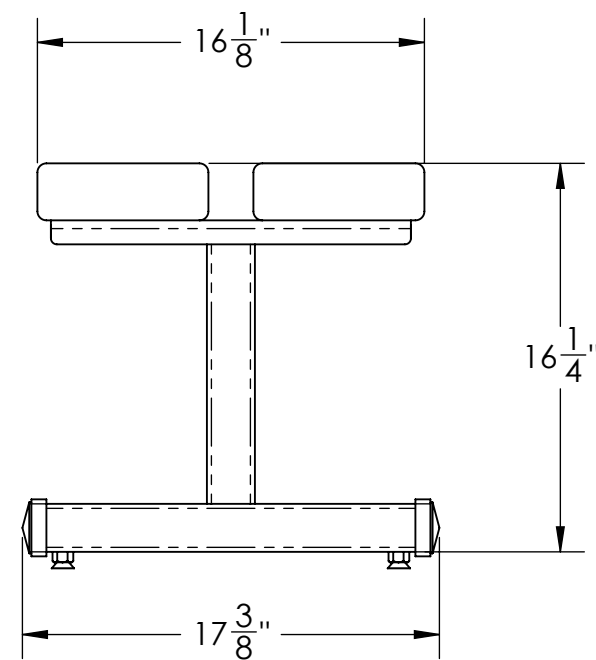
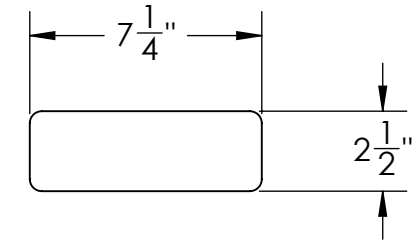
IN-GROUND MOUNT (IM)

SURFACE MOUNT (SM)

LEVELING FEET AVAILABLE WITH FREE STANDING OPTION

RECYCLED PLASTIC SLATS

RECYCLED PLASTIC SLATS



DESCRIPTION:

DECO BENCH - 5FT

ADDRESS:
1350 NORTH AVE.
SANGER, CALIFORNIA 93657
PHONE: (559) 875-8250
FAX: (559) 875-1491
kingsrivercasting@verizon.net

THE INFORMATION CONTAINED IN THIS DRAWING IS THE SOLE PROPERTY OF KINGS RIVER CASTING. ANY REPRODUCTION IN PART OR WHOLE WITHOUT THE WRITTEN PERMISSION OF KINGS RIVER CASTING IS PROHIBITED.

WEIGHT: 91 LBS
MODEL NUMBER:
DB - 5'

SCALE: 1:8

SIZE
B