

# PRODUCT SPECIFICATIONS

## DECO BENCH - 4FT

### MOUNTING BASE TYPE INCLUDE:

FREE STANDING MOUNT  
(FS)

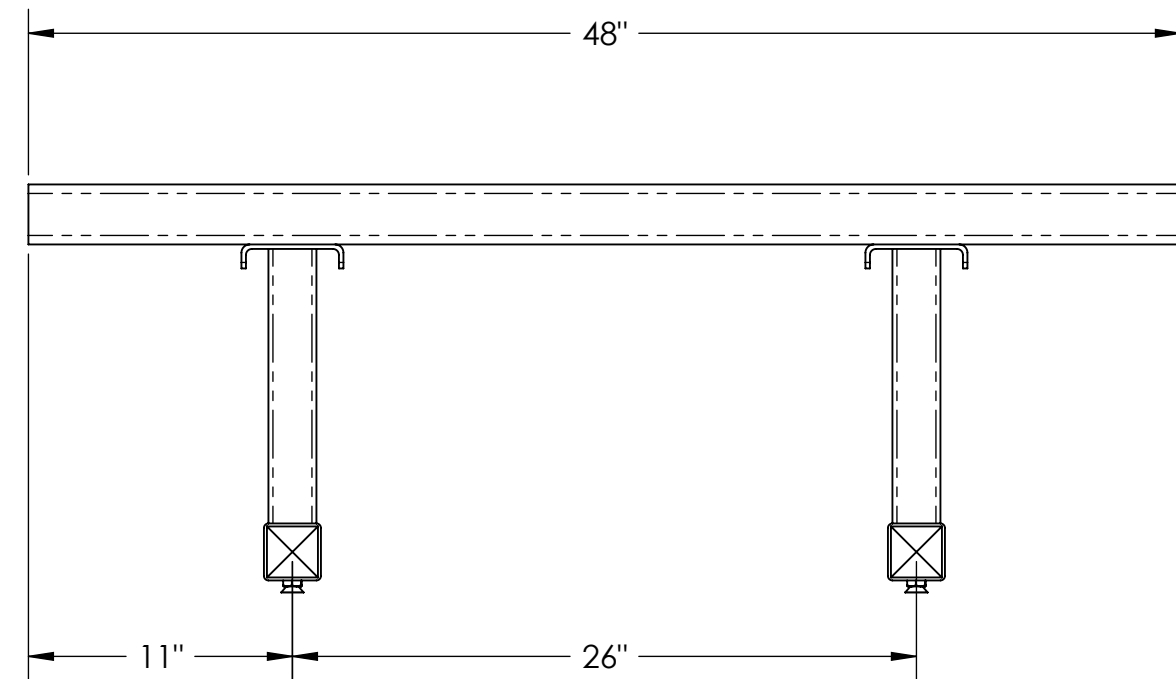
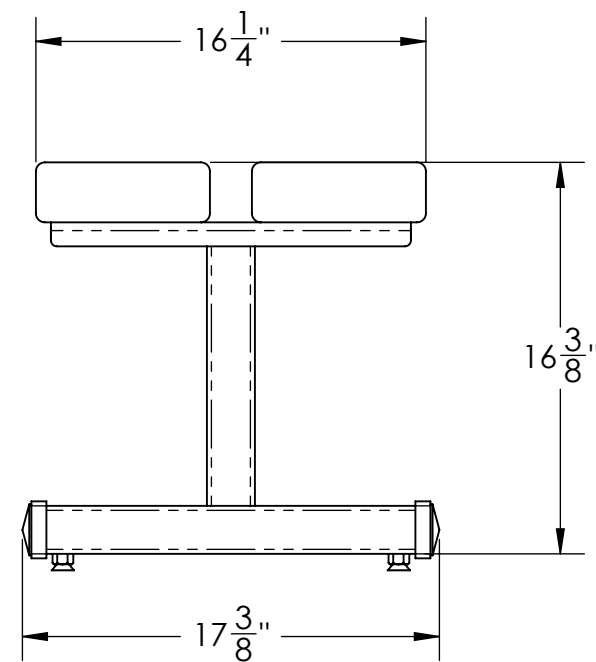
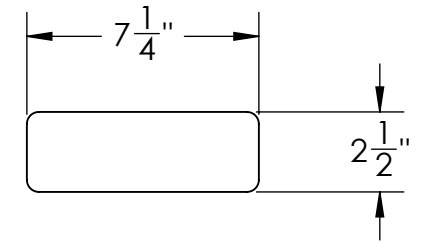
IN-GROUND MOUNT  
(IM)

SURFACE MOUNT  
(SM)

LEVELING FEET  
AVAILABLE WITH FREE  
STANDING OPTION

RECYCLED PLASTIC  
SLATS

### RECYCLED PLASTIC SLATS



#### DESCRIPTION:

### DECO BENCH - 4FT

ADDRESS:  
1350 NORTH AVE.  
SANGER, CALIFORNIA 93657  
PHONE: (559) 875-8250  
FAX: (559) 875-1491  
[kingsrivercasting@verizon.net](mailto:kingsrivercasting@verizon.net)

THE INFORMATION CONTAINED IN THIS DRAWING IS THE SOLE PROPERTY OF KINGS RIVER CASTING. ANY REPRODUCTION IN PART OR WHOLE WITHOUT THE WRITTEN PERMISSION OF KINGS RIVER CASTING IS PROHIBITED.

WEIGHT: 78 LBS

SCALE: 1:8

MODEL NUMBER:

**DB - 4'**

SIZE  
**B**