

# PRODUCT SPECIFICATIONS

## CAPITOL BENCH - 60" RECYCLED PLASTIC

ENGINEERED WITH  
CROSS-BOLTING TO  
PREVENT END PLAY

ARMRESTS  
AVAILABLE UPON  
REQUEST

### FRAME

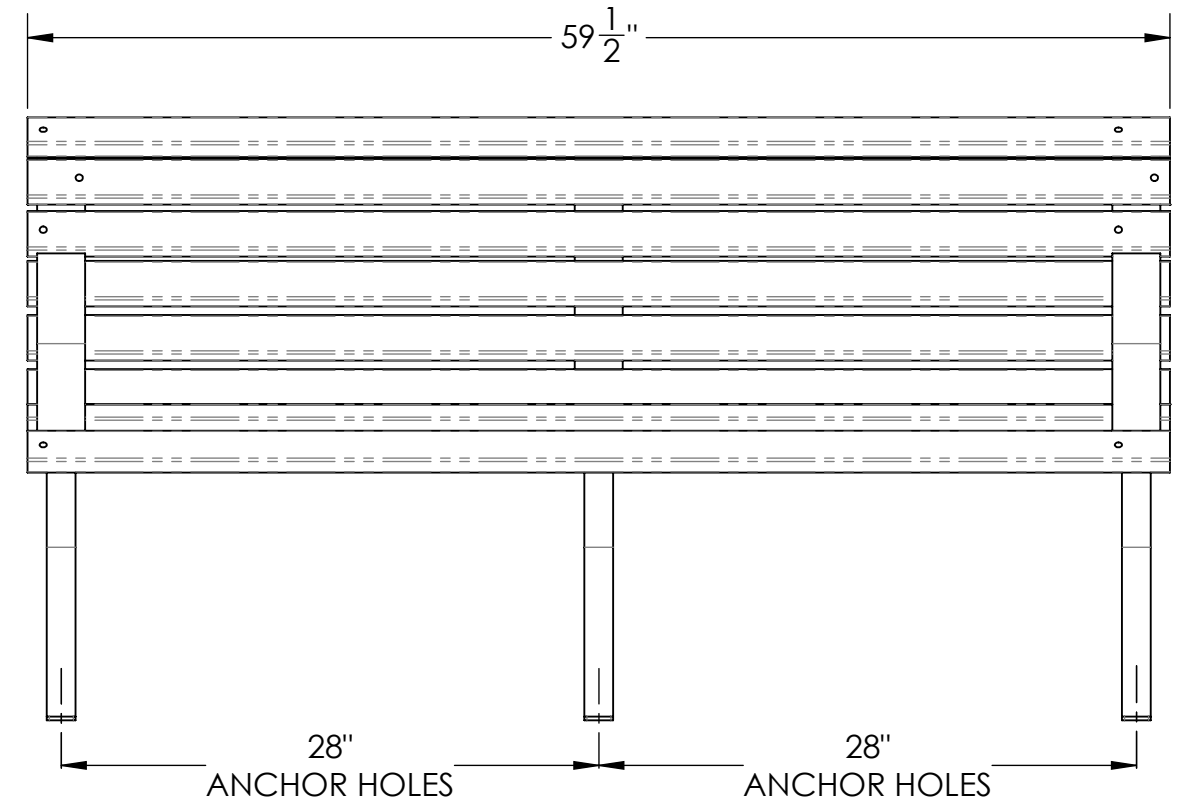
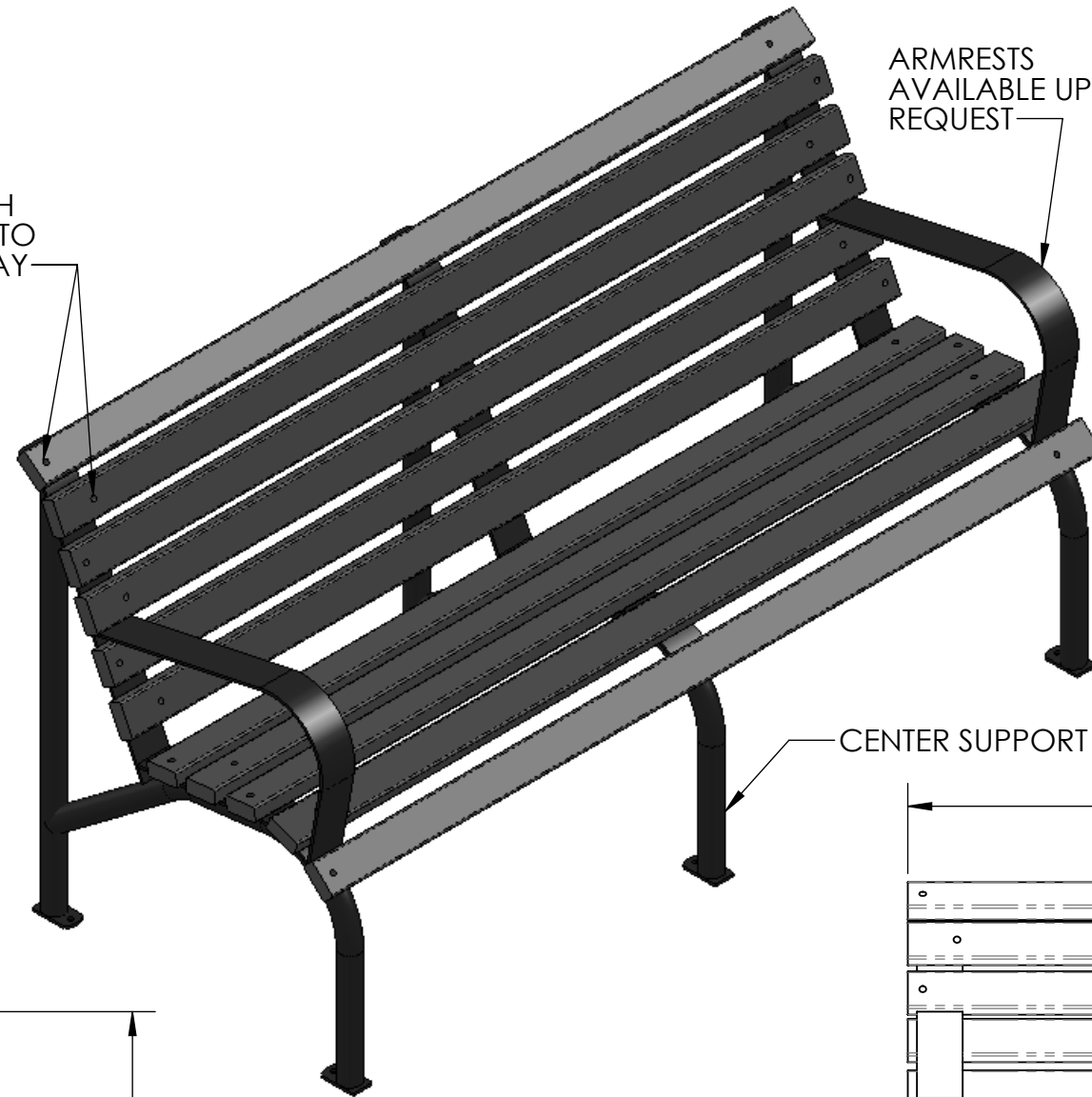
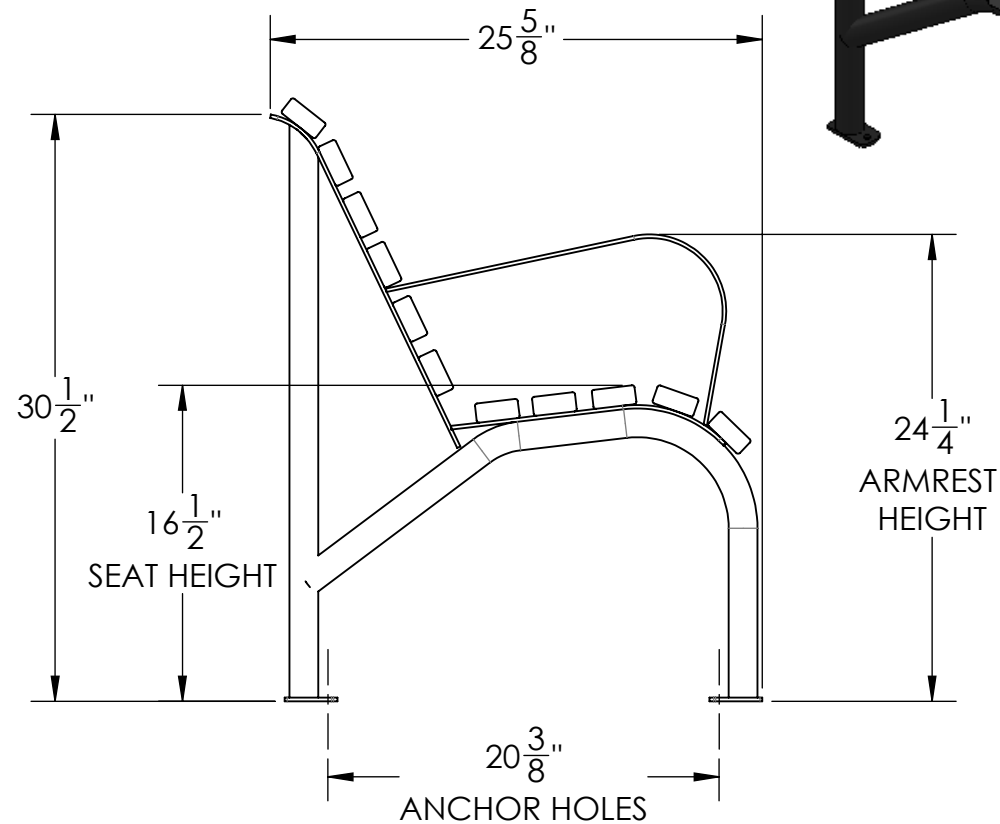
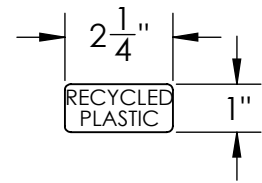
- **Material:** 1 3/8" x 1/16" steel pipe and 2 1/2" x 3/16" flat steel.
- **Finish:** Electro static powder coating
- **Color:** Black, White, Green, Tan, Dk. Brown, Dk. Green, Bronze and Blue.

### PLASTIC RAILS

- **Material:** POLYSTYRENE.
- **Size:** 2 1/4" wide by 1".
- **Number of Rails:** 11.

### HARDWARE

- **Carriage Bolts:** 1/4"-20 steel zinc plate, yellow dipped
- **Nuts:** 1/4" steel zinc plate



### BOLT DOWN DETAIL

CAPITAL benches can be drilled for permanent attachment.



### DESCRIPTION:

## CAPITOL BENCH - 60" RECYCLED PLASTIC

ADDRESS:  
1350 NORTH AVE.  
SANGER, CALIFORNIA 93857  
PHONE: (559) 875-8250  
FAX: (559) 875-1491  
kingsrivercasting@verizon.net

THE INFORMATION CONTAINED IN THIS DRAWING IS THE SOLE PROPERTY OF KINGS RIVER CASTING. ANY REPRODUCTION IN PART OR WHOLE WITHOUT THE WRITTEN PERMISSION OF KINGS RIVER CASTING IS PROHIBITED.

WEIGHT: 65 LBS  
MODEL NUMBER:

SCALE: 1:10

CBP - 60"

SIZE  
B