

PRODUCT SPECIFICATIONS

CAPITOL BENCH - 48" RECYCLED PLASTIC

ENGINEERED WITH
CROSS-BOLTING TO
PREVENT END PLAY

ARMRESTS
AVAILABLE UPON
REQUEST

FRAME

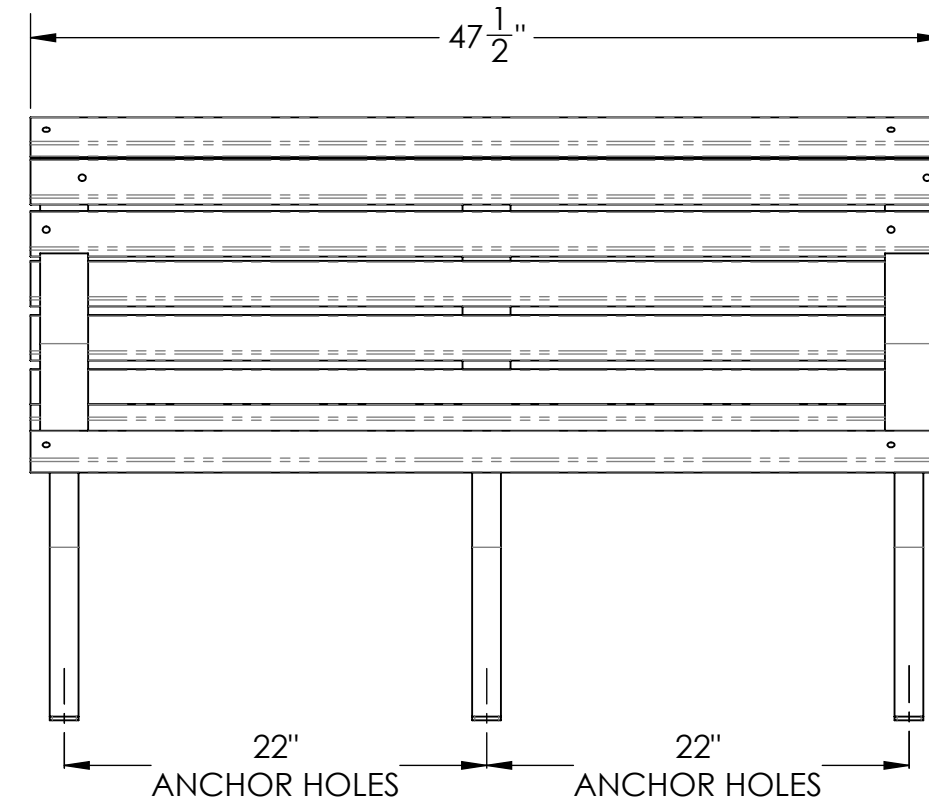
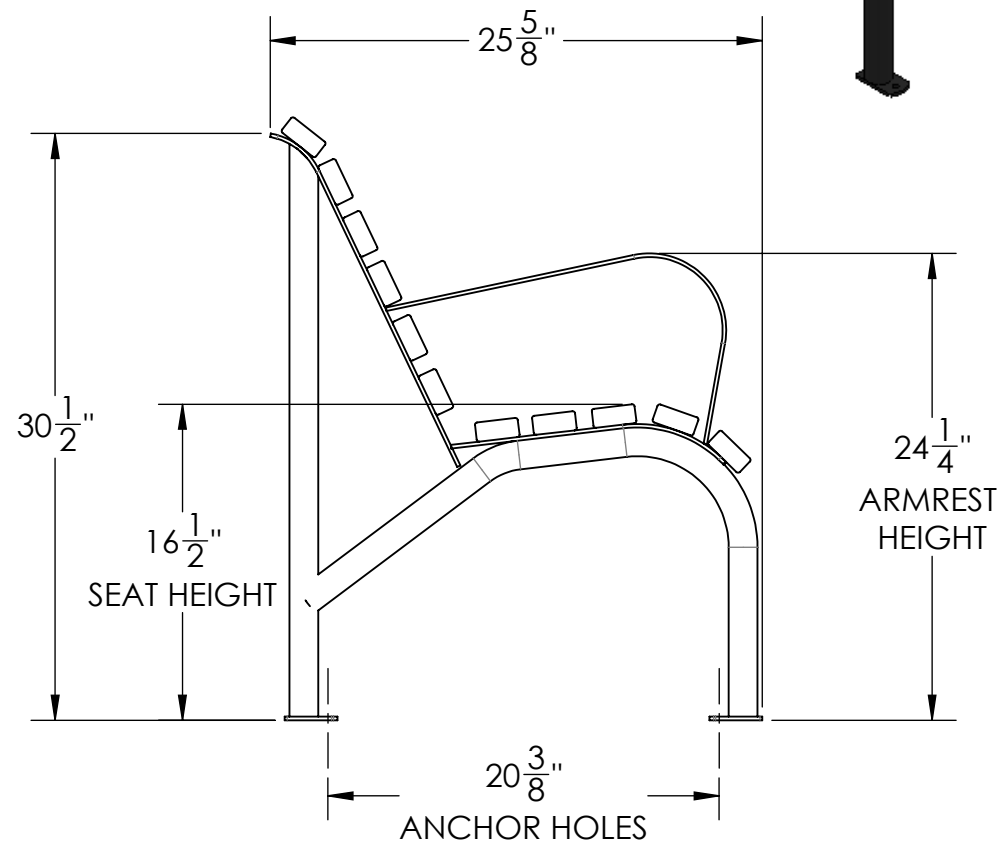
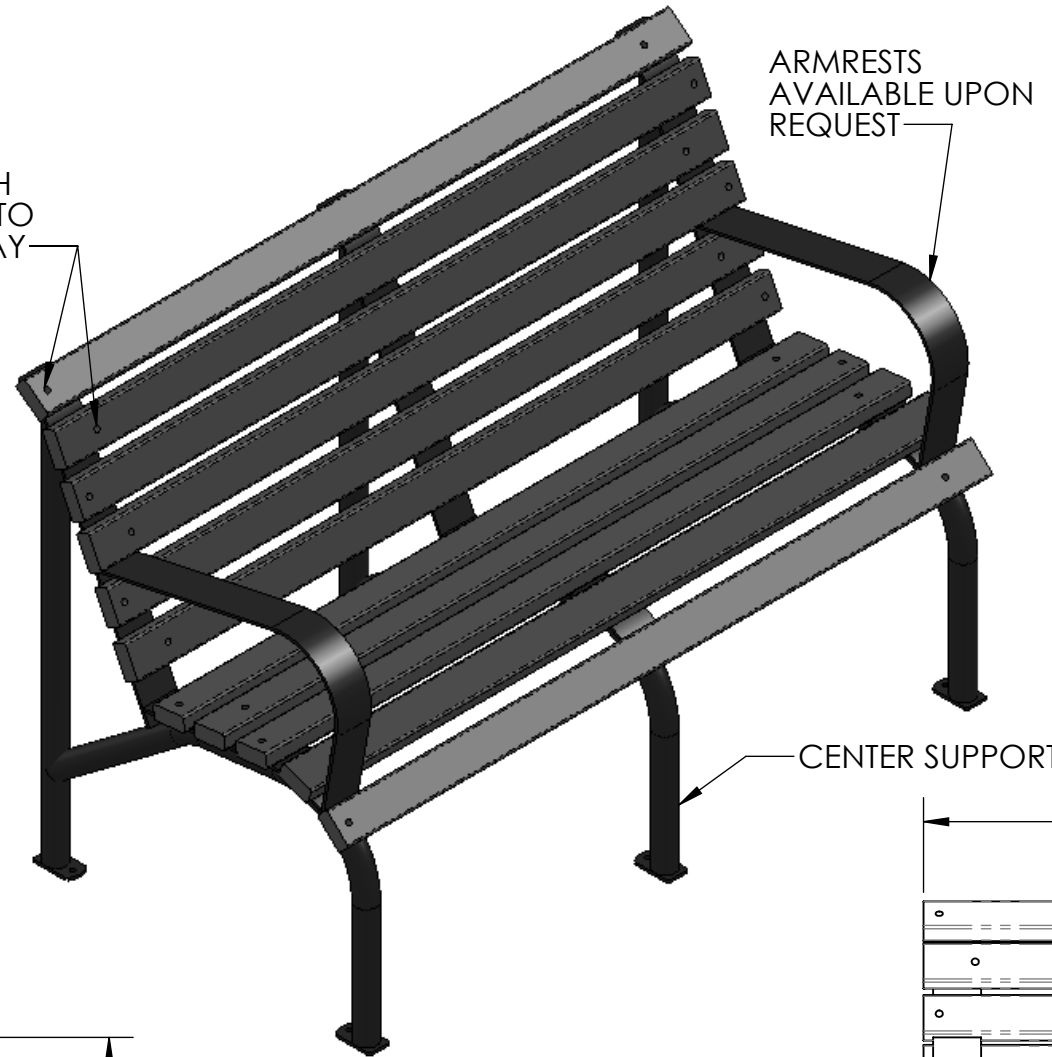
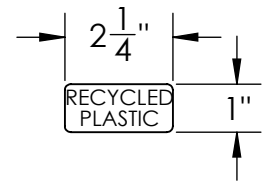
- **Material:** 1 3/8" x 1/16" steel pipe and 2 1/2" x 3/16" flat steel.
- **Finish:** Electro static powder coating
- **Color:** Black, White, Green, Tan, Dk. Brown, Dk. Green, Bronze and Blue.

PLASTIC RAILS

- **Material:** POLYSTYRENE.
- **Size:** 2 1/4" wide by 1".
- **Number of Rails:** 11.

HARDWARE

- **Carriage Bolts:** 1/4"-20 steel zinc plate, yellow dipped
- **Nuts:** 1/4" steel zinc plate



BOLT DOWN DETAIL

CAPITAL benches can be drilled for permanent attachment.



DESCRIPTION:

CAPITOL BENCH - 48" RECYCLED PLASTIC

ADDRESS:
1350 NORTH AVE.
SANGER, CALIFORNIA 93657
PHONE: (559) 875-8250
FAX: (559) 875-1491
kingsrivercasting@verizon.net

THE INFORMATION CONTAINED IN THIS DRAWING IS THE SOLE PROPERTY OF KINGS RIVER CASTING. ANY REPRODUCTION IN PART OR WHOLE WITHOUT THE WRITTEN PERMISSION OF KINGS RIVER CASTING IS PROHIBITED.

WEIGHT: 50 LBS
MODEL NUMBER:

SCALE: 1:10

CBS - 48"

SIZE
B