

# PRODUCT SPECIFICATIONS

## BOULEVARD BENCH - 8FT

### MOUNTING BASE TYPE INCLUDE:

FREE STANDING MOUNT (FS)

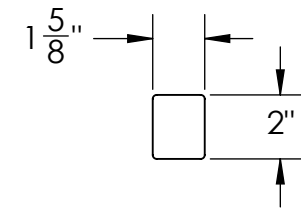
IN-GROUND MOUNT (IM)

SURFACE MOUNT (SM)

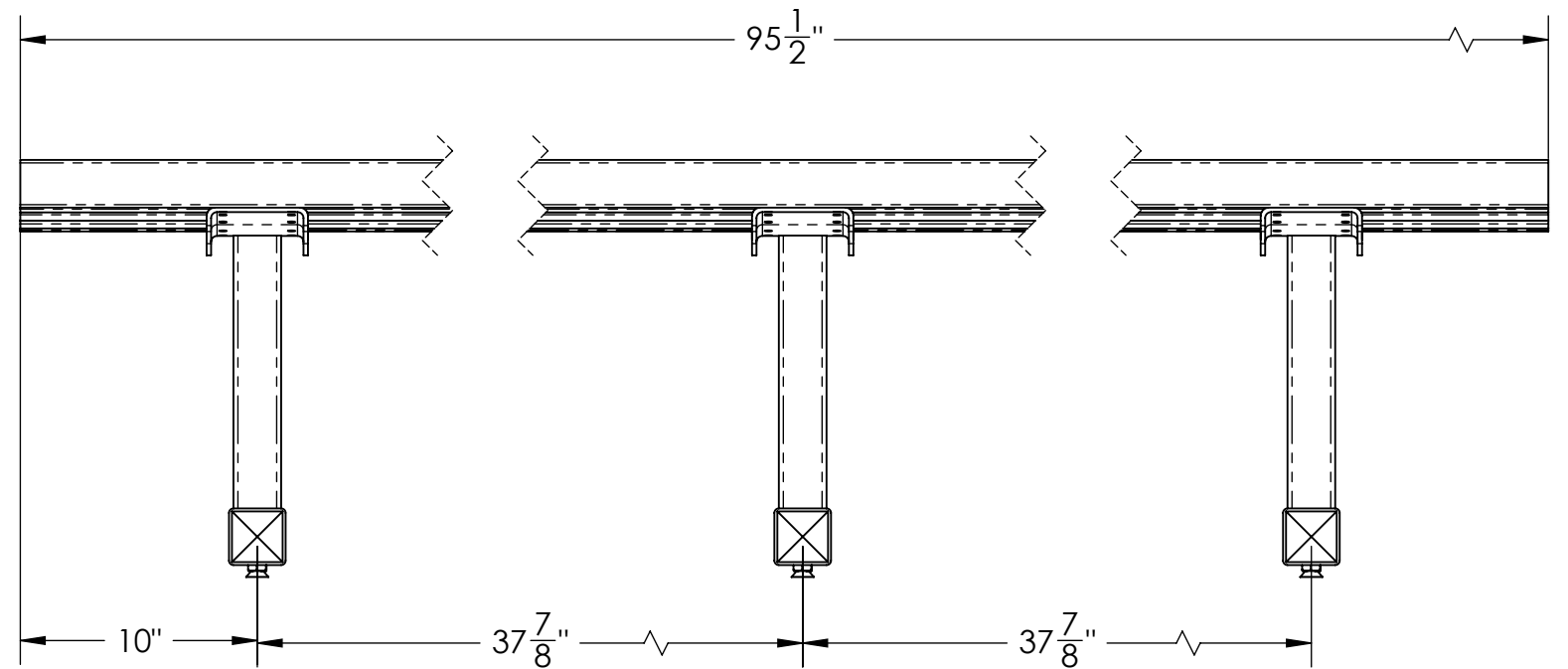
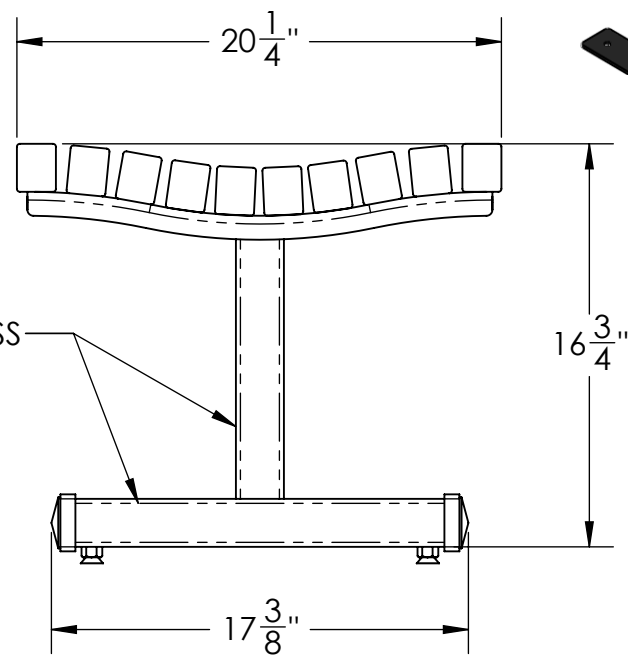
LEVELING FEET AVAILABLE WITH FREE STANDING OPTION

OPTION:  
OAK OR REDWOOD  
SLATS

OAK OR REDWOOD  
SLATS



2"X2" SQUARE TUBE  
.095 WALL THICKNESS



**DESCRIPTION:**

**BOULEVARD BENCH - 8FT**

ADDRESS:  
1350 NORTH AVE.  
SANGER, CALIFORNIA 93657  
PHONE: (559) 875-8250  
FAX: (559) 875-1491  
kingsrivercasting@verizon.net

THE INFORMATION CONTAINED IN THIS DRAWING IS THE SOLE PROPERTY OF KINGS RIVER CASTING. ANY REPRODUCTION IN PART OR WHOLE WITHOUT THE WRITTEN PERMISSION OF KINGS RIVER CASTING IS PROHIBITED.

WEIGHT: 100 LBS  
MODEL NUMBER:  
**BB - 8'**

SCALE: 1:8

SIZE  
B