

# PRODUCT SPECIFICATIONS

## BOULEVARD BENCH - 8' RECYCLED PLASTIC

### MOUNTING BASE TYPE INCLUDE:

FREE STANDING MOUNT  
(FS)

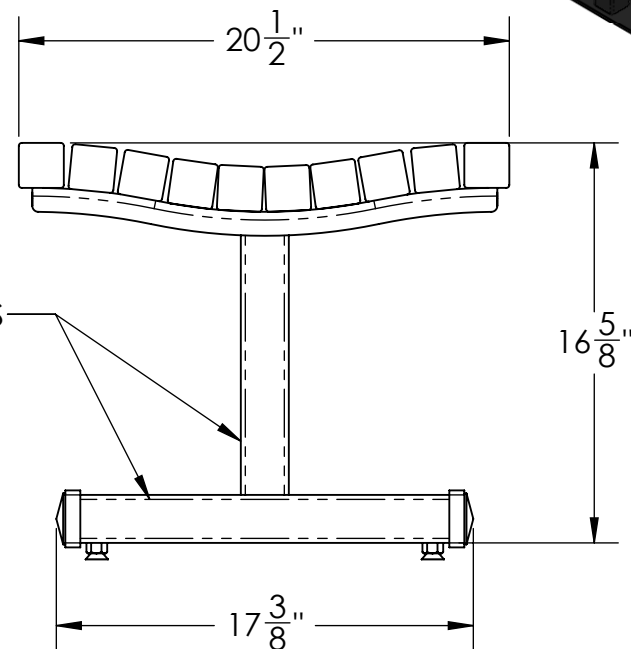
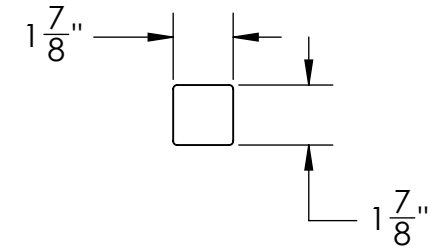
IN-GROUND MOUNT  
(IM)

SURFACE MOUNT  
(SM)

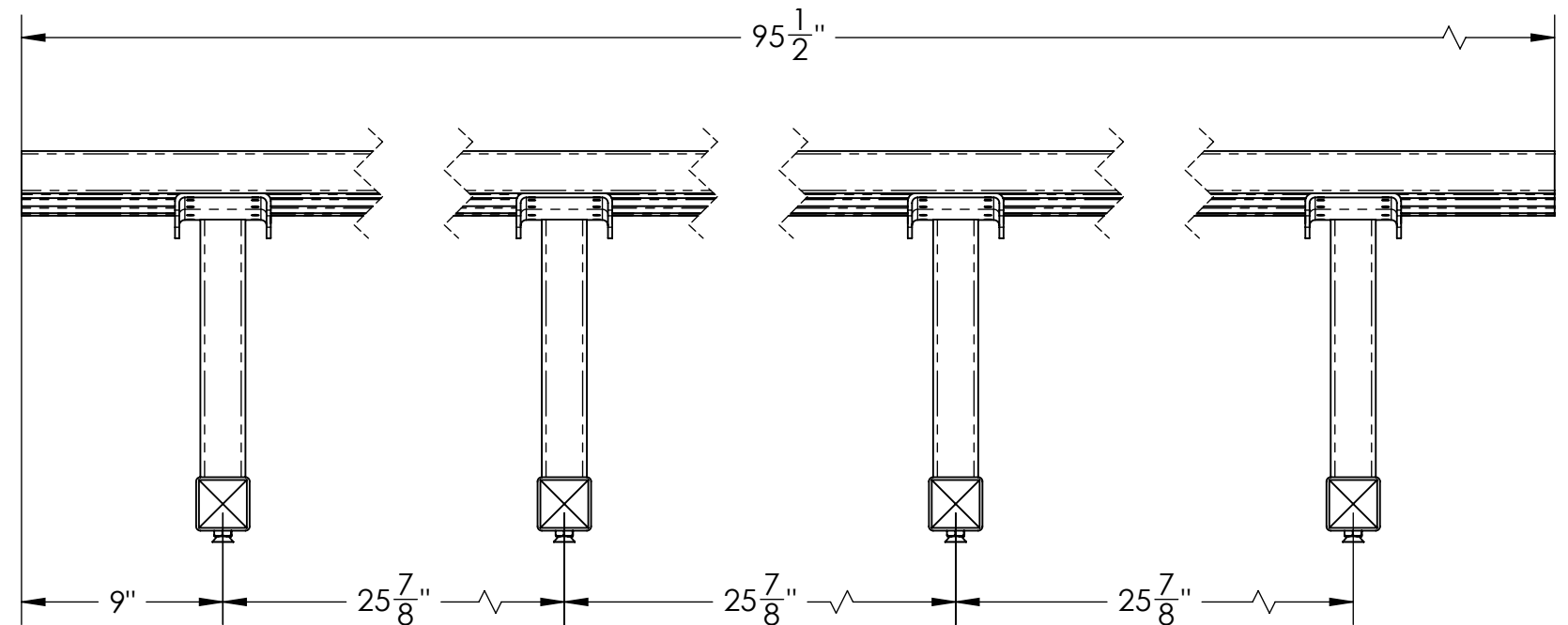
LEVELING FEET  
AVAILABLE WITH FREE  
STANDING OPTION

RECYCLED PLASTIC  
SLATS

RECYCLED PLASTIC  
SLATS



2"X2" SQUARE TUBE  
.095 WALL THICKNESS



www.kingsrivercasting.com

### DESCRIPTION:

**BOULEVARD BENCH - 8' RECYCLED PLASTIC**

ADDRESS:  
1350 NORTH AVE.  
SANGER, CALIFORNIA 93657  
PHONE: (559) 875-8250  
FAX: (559) 875-1491  
kingsrivercasting@verizon.net

THE INFORMATION CONTAINED IN THIS DRAWING  
IS THE SOLE PROPERTY OF KINGS RIVER CASTING.  
ANY REPRODUCTION IN PART OR WHOLE WITHOUT THE  
WRITTEN PERMISSION OF KINGS RIVER CASTING IS PROHIBITED.

WEIGHT: 100 LBS SCALE: 1:8  
MODEL NUMBER:  
**BB - 8'**

SIZE  
B