

PRODUCT SPECIFICATIONS

BOULEVARD BENCH - 5'

MOUNTING BASE TYPE INCLUDE:

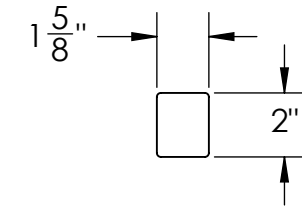
FREE STANDING MOUNT
(FS)

IN-GROUND MOUNT
(IM)

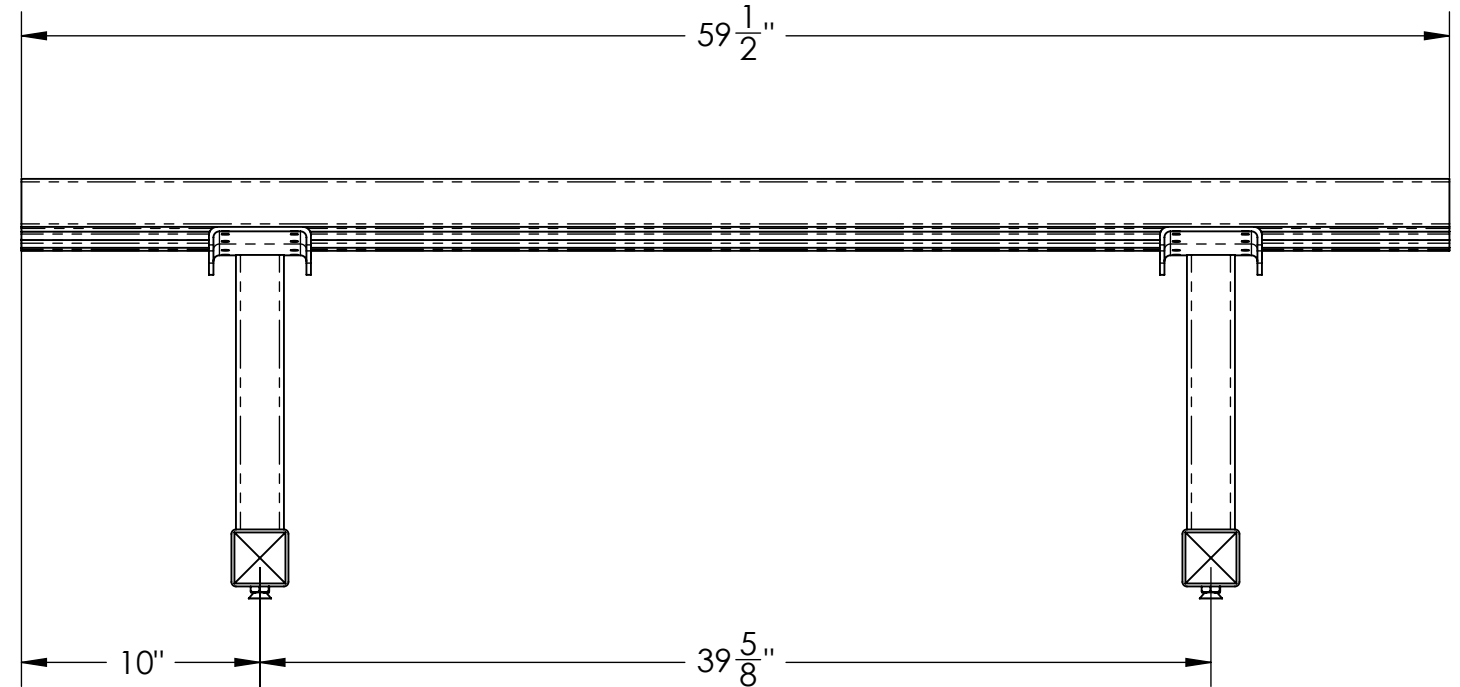
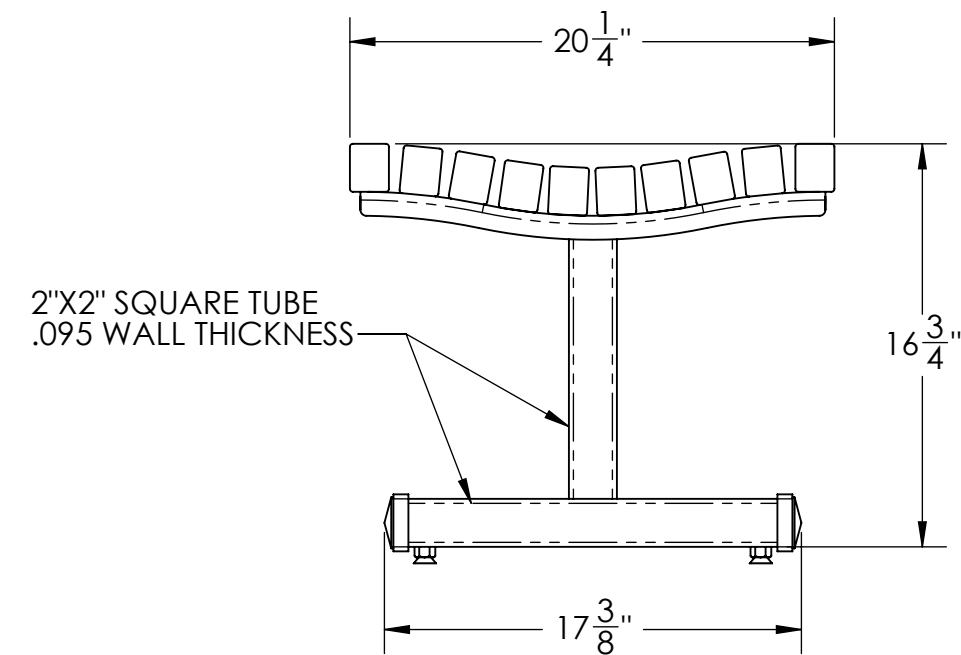
SURFACE MOUNT
(SM)

OPTION:
OAK OR REDWOOD
SLATS

OAK OR REDWOOD
SLATS



LEVELING FEET
AVAILABLE WITH FREE
STANDING OPTION



DESCRIPTION:

BOULEVARD BENCH - 5'

ADDRESS:
1350 NORTH AVE.
SANGER, CALIFORNIA 93657
PHONE: (559) 875-8250
FAX: (559) 875-1491
kingsrivercasting@verizon.net

THE INFORMATION CONTAINED IN THIS DRAWING
IS THE SOLE PROPERTY OF KINGS RIVER CASTING.
ANY REPRODUCTION IN PART OR WHOLE WITHOUT THE
WRITTEN PERMISSION OF KINGS RIVER CASTING IS PROHIBITED.

WEIGHT: 78 LBS

SCALE: 1:8

MODEL NUMBER:

BB - 5'

SIZE
B