

PRODUCT SPECIFICATIONS

BOULEVARD BENCH - 4' RECYCLED PLASTIC

MOUNTING BASE TYPE INCLUDE:

FREE STANDING MOUNT
(FS)

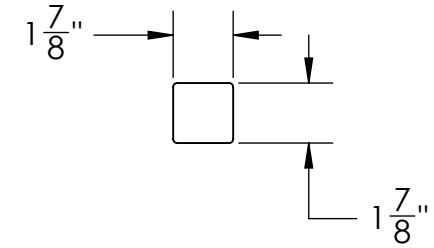
IN-GROUND MOUNT
(IM)

SURFACE MOUNT
(SM)

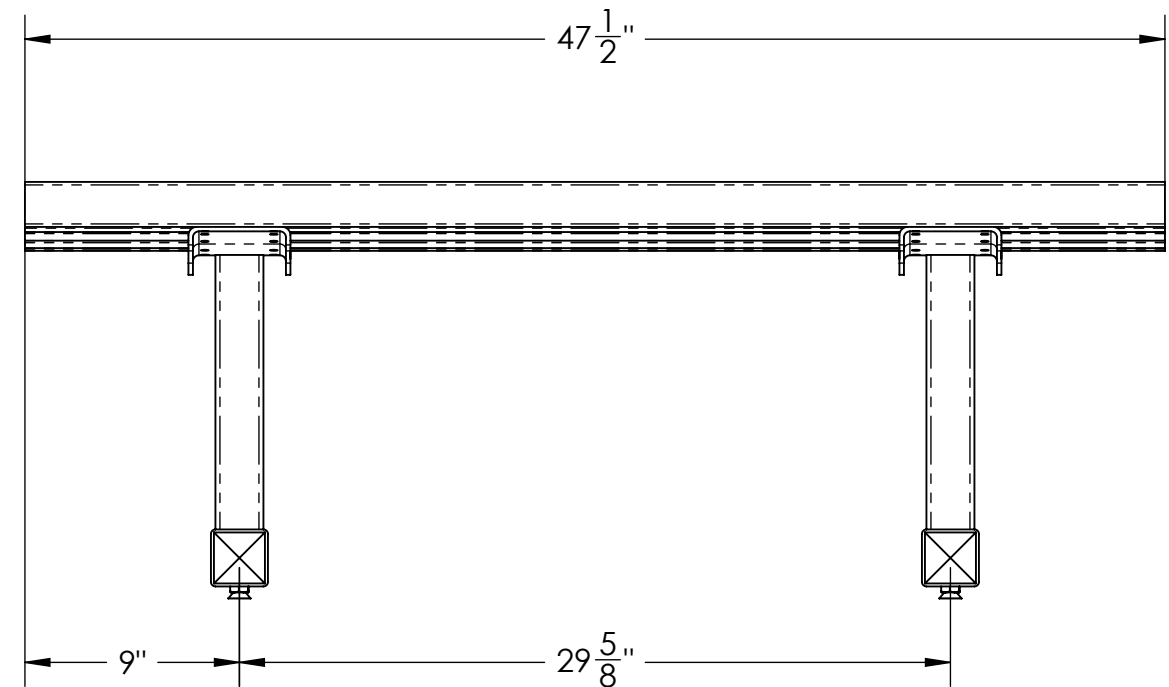
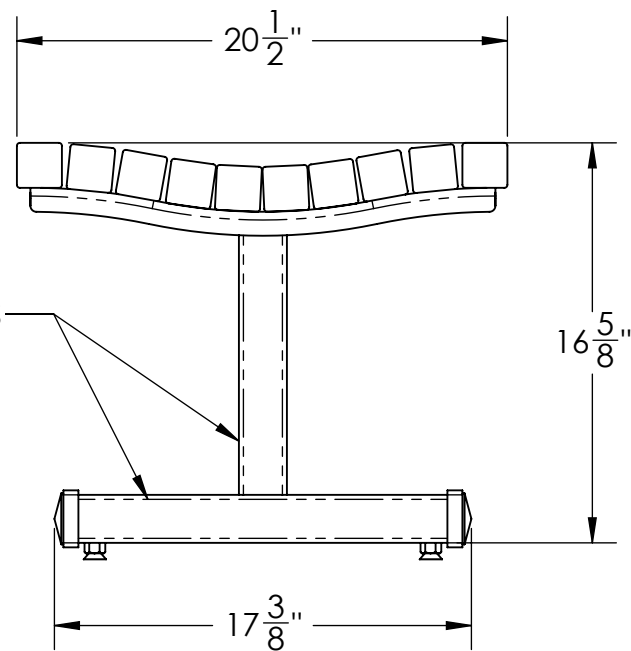
LEVELING FEET
AVAILABLE WITH FREE
STANDING OPTION

RECYCLED PLASTIC
SLATS

RECYCLED PLASTIC SLATS



2"X2" SQUARE TUBE
.095 WALL THICKNESS



DESCRIPTION:

BOULEVARD BENCH - 4' RECYCLED PLASTIC

ADDRESS:
1350 NORTH AVE.
SANGER, CALIFORNIA 93857
PHONE: (559) 875-8250
FAX: (559) 875-1491
kingsrivercasting@verizon.net

THE INFORMATION CONTAINED IN THIS DRAWING
IS THE SOLE PROPERTY OF KINGS RIVER CASTING.
ANY REPRODUCTION IN PART OR WHOLE WITHOUT THE
WRITTEN PERMISSION OF KINGS RIVER CASTING IS PROHIBITED.

WEIGHT: 74 LBS
MODEL NUMBER:
BB - 4'

SCALE: 1:8

SIZE
B